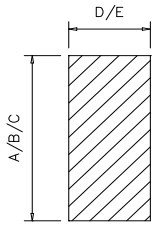


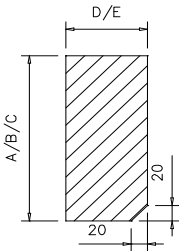


# Heads

1.0



**HEAD TYPE 1 & 3  
TYPICAL SECTION**



**HEAD TYPE 2 & 4  
TYPICAL SECTION**

**KEY**

**LINTEL HEIGHTS**

A = 140MM  
B = 215MM  
C = 290MM

**LINTEL DEPTHS**

D = 100MM  
E = 120MM

140MM AND 150MM DEPTHS ALSO AVAILABLE

**NOTE:**

SPLAYED LINTELS INCORPORATE AN 80MM SPLAY TO EACH END

STRUCTURAL OPENING SIZES AVAILABLE INCLUDE:  
488MM, 630MM, 915MM, 1200MM, 1770MM

NON-STANDARD LENGTHS MANUFACTURED TO ORDER

**IMPORTANT NOTICE:** SEMI-DRY CAST LINTELS ARE NON LOAD BEARING AND SHOULD BE USED IN CONJUNCTION WITH A SUITABLE STRUCTURAL LINTEL AS PER ENGINEER OR MANUFACTURERS RECOMMENDATIONS

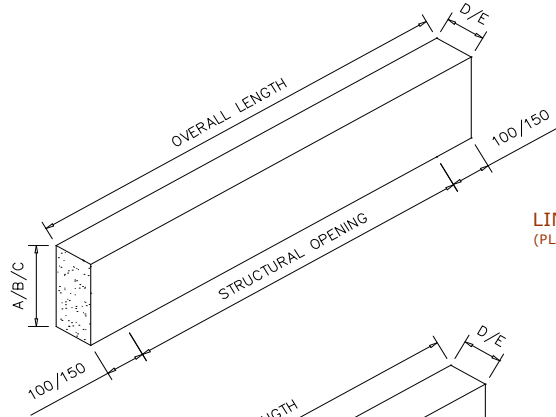
**TYPICAL WEIGHTS**

140MM X 100MM - APPROX 30KG PER LM  
215MM X 100MM - APPROX 46KG PER LM  
290MM X 100MM - APPROX 69KG PER LM

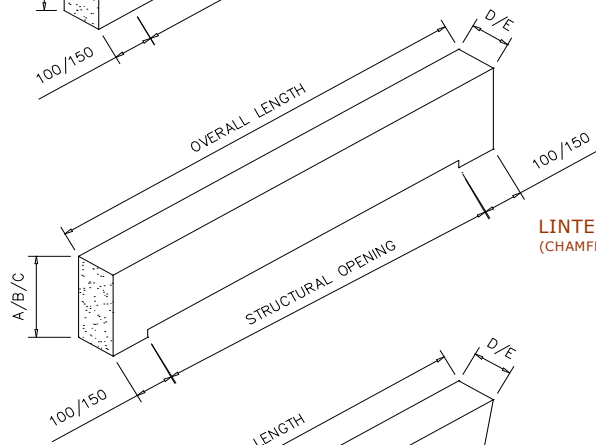
140MM X 120MM - APPROX 36KG PER LM  
215MM X 120MM - APPROX 55KG PER LM  
290MM X 120MM - APPROX 75KG PER LM

UNITS CAN BE SUPPLIED WITH CAST IN LIFTING SOCKETS IF SPECIFIED

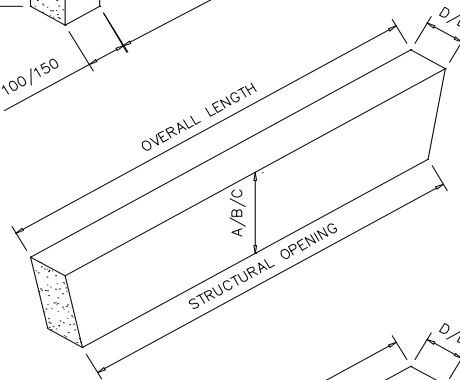
UNITS EXCEEDING SLENDERNESS RATIO WILL BE SUPPLIED SECTIONAL (PLEASE CONSULT SALES TEAM)



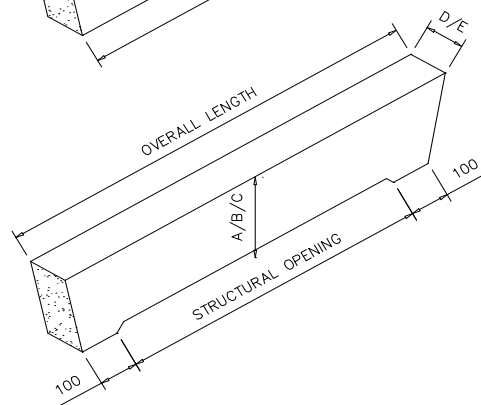
**LINTEL TYPE 1  
(PLAIN)**



**LINTEL TYPE 2  
(CHAMFERED)**



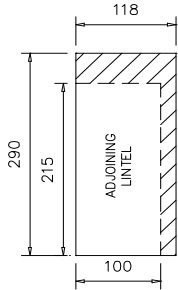
**LINTEL TYPE 3  
(PLAIN SPLAYED)**



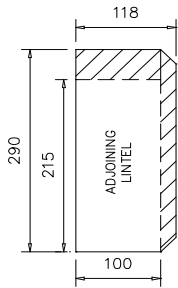
**LINTEL TYPE 4  
(SPLAYED & CHAMFERED)**



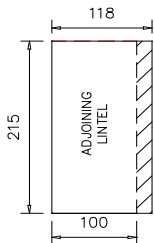
# Keystones



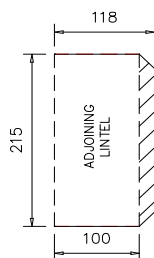
**KEYSTONES 1  
TYPICAL SECTION**



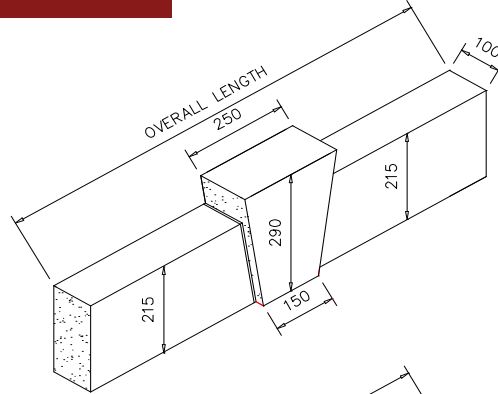
**KEYSTONES 2  
TYPICAL SECTION**



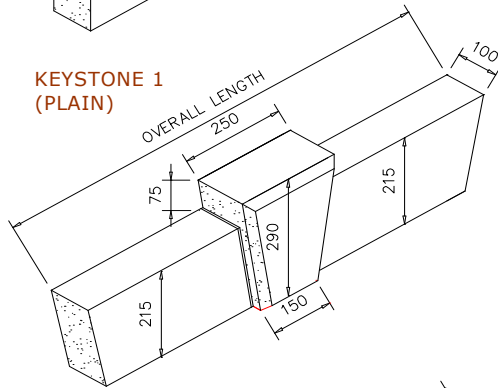
**KEYSTONES 3  
TYPICAL SECTION**



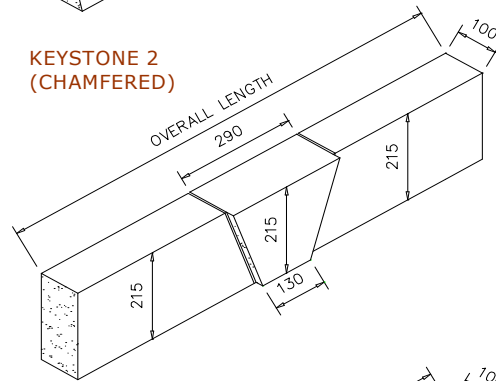
**KEYSTONES 4  
TYPICAL SECTION**



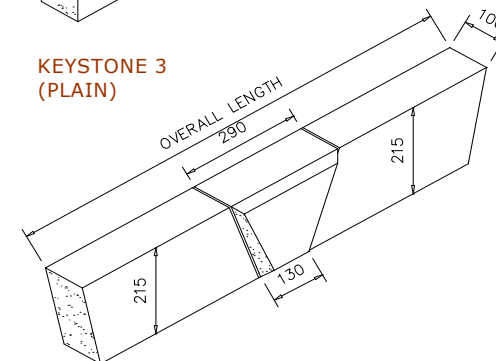
**KEYSTONE 1  
(PLAIN)**



**KEYSTONE 2  
(CHAMFERED)**



**KEYSTONE 3  
(PLAIN)**



**KEYSTONE 4  
(CHAMFERED)**

NOTE:  
KEYSTONES SHOWN CAN BE USED IN CONJUNCTION WITH ALL STANDARD HEAD TYPES.

WHERE A PROJECTING KEYSTONE IS REQUIRED (KEYSTONE TYPES 1 AND 2) THE HEAD WILL BE SUPPLIED IN MINIMUM OF 3PCS.

LINTELS COMPRISING OF KEYSTONE TYPE 3 AND 4 CAN BE SUPPLIED IN 1PC SUBJECT TO REQUIREMENTS & LENGTH RESTRICTIONS

ALL HEADS ARE NON-LOAD BEARING COMPONENTS AND MUST BE USED IN CONJUNCTION WITH A SUITABLE LOAD RELIEVING LINTEL. PLEASE CONSULT YOUR ENGINEER PRIOR TO INSTALLATION.

NON-STANDARD KEYSTONES MANUFACTURED TO ORDER.  
KEYSTONES TO SUIT LINTELS IN RENDER ALSO AVAILABLE

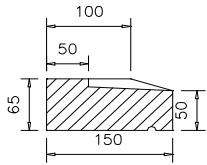
KEYSTONE TYPE 1 AND 2 TO BE USED ONLY WITH LINTELS 215MM OR 290MM HIGH. THE FORMER ACHIEVING A PROJECTED KEYSTONE AS ILLUSTRATED

KEYSTONE TYPE 3 AND 4 TO BE USED ONLY WITH LINTELS 140MM OR 215MM HIGH. THE LATTER ACHIEVING A FLUSH KEYSTONE AS ILLUSTRATED

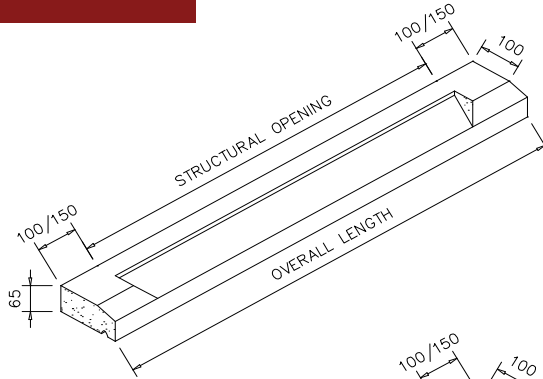


# Cills

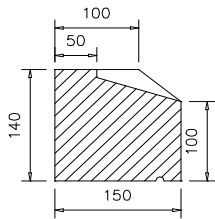
2.0



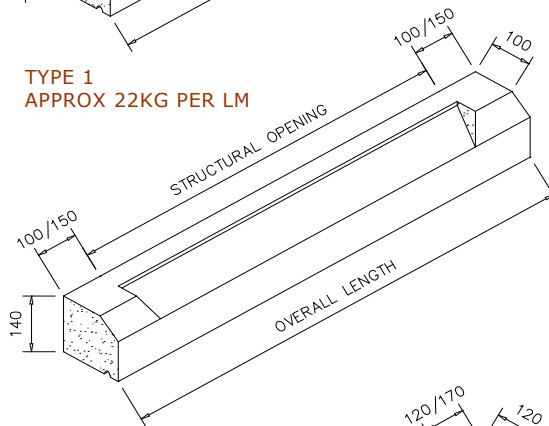
**TYPE 1 CILL  
TYPICAL SECTION**



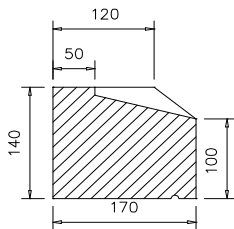
**TYPE 1  
APPROX 22KG PER LM**



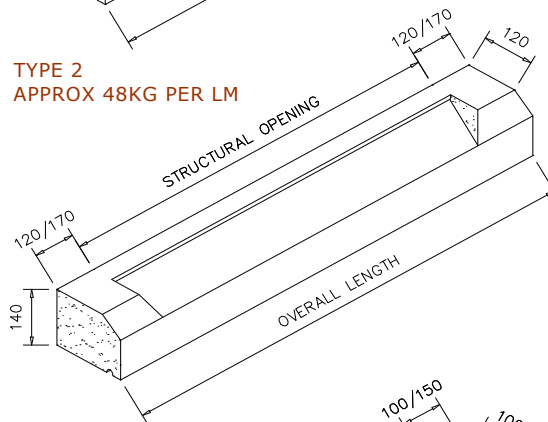
**TYPE 2 CILL  
TYPICAL SECTION**



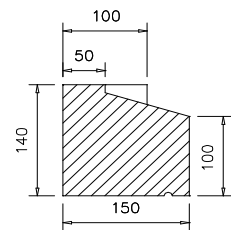
**TYPE 2  
APPROX 48KG PER LM**



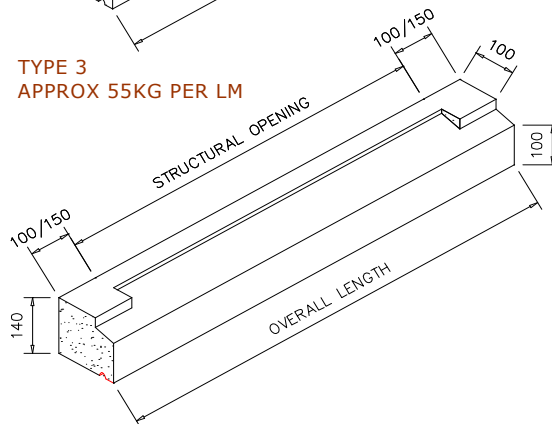
**TYPE 3 CILL  
TYPICAL SECTION**



**TYPE 3  
APPROX 55KG PER LM**



**TYPE 4 CILL  
TYPICAL SECTION**



**TYPE 4  
APPROX 48KG PER LM**

**NOTE:**

ALL TYPE 1 CILLS OVER 890MM LONG WILL BE SUPPLIED SECTIONAL, UNLESS PREVIOUSLY AGREED

ALL TYPE 2, 3 AND 4 CILLS OVER 1400MM LONG WILL BE SUPPLIED SECTIONAL, UNLESS PREVIOUSLY AGREED

STANDARD STRUCTURAL OPENING SIZES INCLUDE 488MM, 630MM, 915MM, 1200MM, 1770MM

NON-STANDARD LENGTHS AND SECTIONS MANUFACTURED TO ORDER

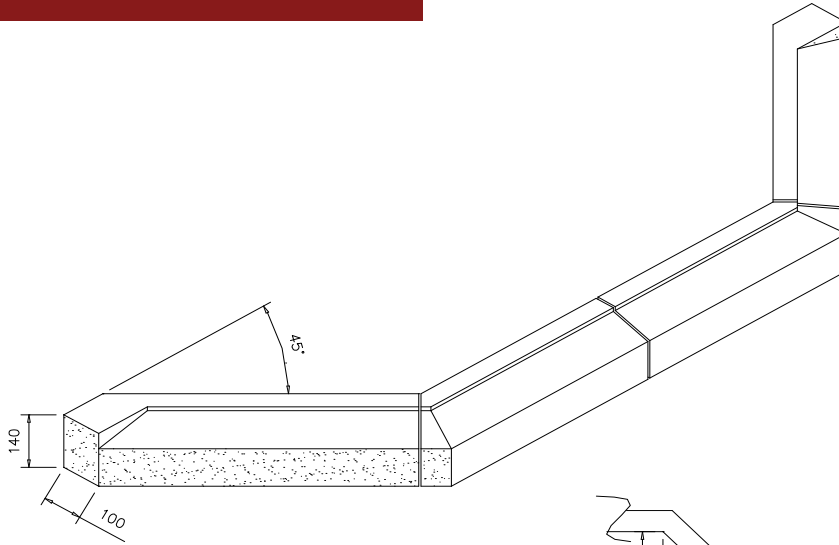
ALL CILLS AVAILABLE-DELETE STOOLS TO FORM SLIP CILLS

10MM RAINWATER DRIP LOCATED TO FRONT UNDERSIDE OF ALL PROJECTING CILLS

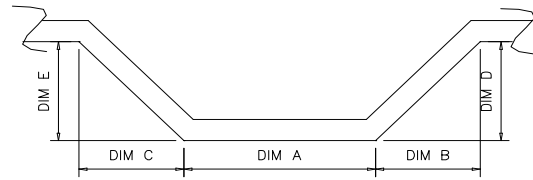
TYPE 3 CILL RECOMMENDED FOR RENDERED BRICKWORK FINISHES



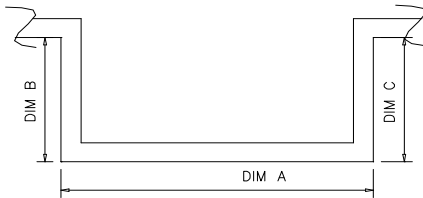
# Bays



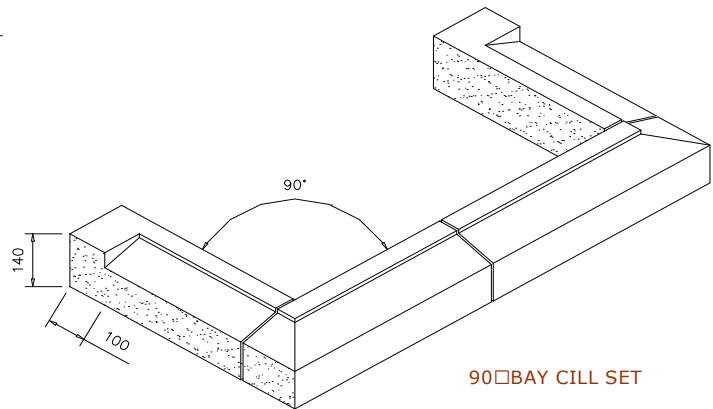
45° BAY CILL SET



BRICKWORK PLAN 45° BAY CILL SET



BRICKWORK PLAN 90° BAY CILL SET



90° BAY CILL SET

**NOTE:**

BAY CILL SETS AVAILABLE IN ALL CILL TYPES

NON-STANDARD CILL TYPES MANUFACTURED TO ORDER

EXTERNAL BRICKWORK DIMENSIONS TO BE SUPPLIED BY CLIENT PRIOR TO MANUFACTURE

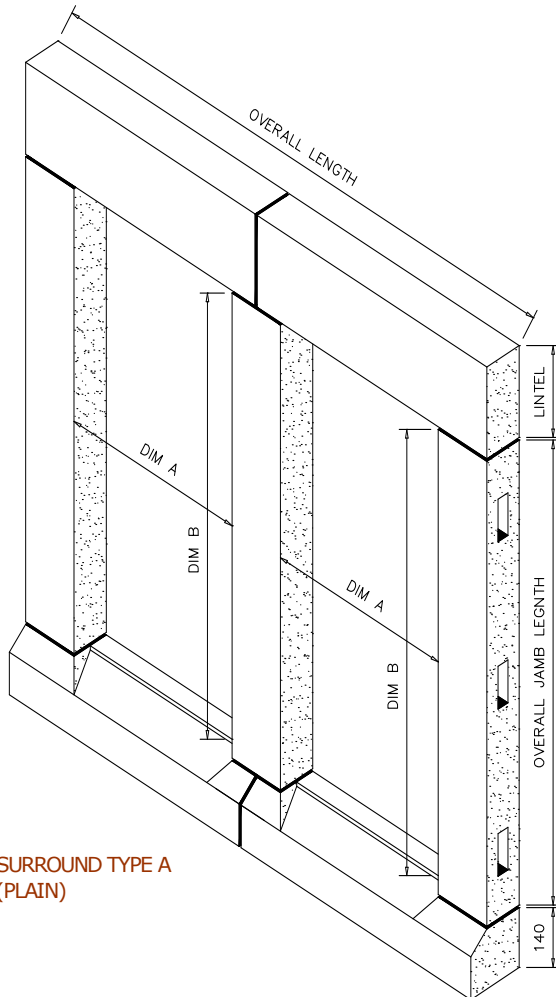
FOR INTERMEDIATE STOOLINGS TO BAY CILL SETS PLEASE CONFIRM ALL WINDOW OPENING SIZES.

BAY CILL SETS SUPPLIED SECTIONAL. QUANTITY OF PIECES DEPENDANT ON BRICKWORK DIMENSIONS AND COMPLIANCE WITH SLENDERNESS RATIO



## Surrounds

3.0



SURROUND TYPE A  
(PLAIN)

### TYPICAL MULLION □ JAMB SECTIONS:

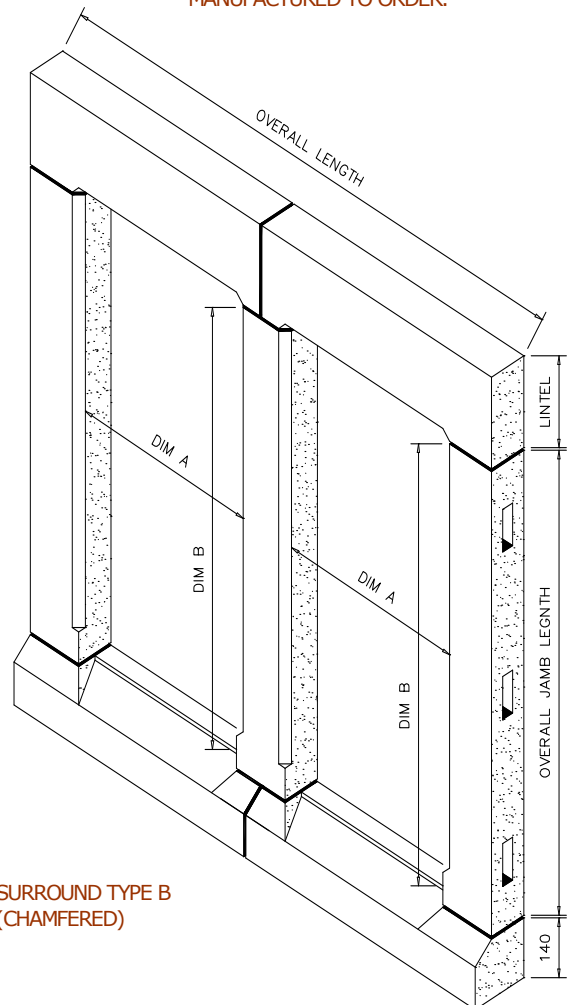
100MM X 150MM - IN BRICKWORK  
100MM X 100MM - IN BRICKWORK  
120MM X 120MM - IN RENDER  
120MM X 170MM - IN RENDER

MULLIONS MAY BE SUPPLIED IN SECTION TO SUIT  
SLENDERNESS RATIO.

ALL NON-STANDARD DIMENSIONS MANUFACTURED  
TO ORDER

TYPE B SURROUND SUPPLIED WITH 20 X 20MM  
CHAMFER

USE STAINLESS STEEL DOWELS TO LOCATE  
COMPONENTS



SURROUND TYPE B  
(CHAMFERED)

### NOTE:

SURROUNDS COMPRISE OF CILLS, HEADS,  
MULLIONS AND JAMBS AS PER  
REQUIREMENTS

JAMBS MANUFACTURED COMPLETE WITH  
ABBEY SLOTS TO SECURE BACK TO  
ADJOINING BRICKWORK WITH STANDARD  
FISHTAIL TIES

HEADS AND CILLS ON 2 LIGHT (AND  
ABOVE) WINDOW SURROUND SUPPLIED  
SPLIT AT MULLIONS

OPENING SIZES AVAILABLE (DIM A):  
488MM, 630MM, 915MM, 1200MM, 1770MM

ALL NON-STANDARD COMPONENTS  
MANUFACTURED TO ORDER.



# Bullseyes

4.0

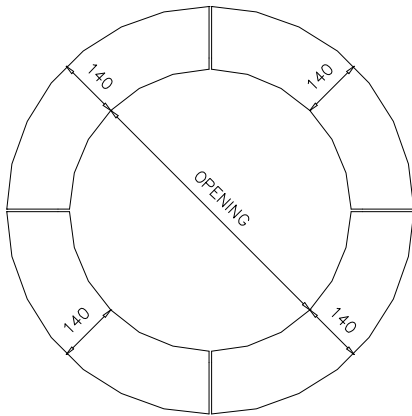
NOTE:  
BULLSEYES AVAILABLE AT 100MM, 120MM, 140MM AND 150MM THICK TO SUIT VARIOUS WALL THICKNESSES

BULLSEYES ALSO AVAILABLE 215MM WIDE WITH 290MM (H) KEYTONES

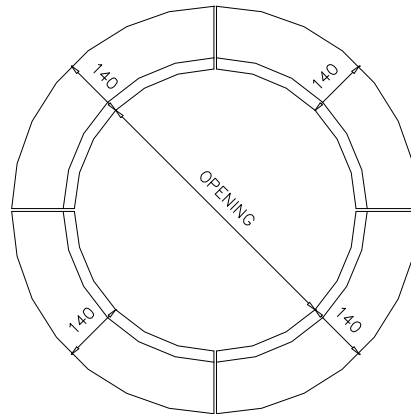
KEY STONES TO TYPE 4 AVAILABLE IN FLUSH FINISH OR PROJECTING. PLEASE STATE AT TIME OF ORDER. ALL KEYSTONE AVAILABLE RADIUSSED EXTERNAL AND INTERNAL EDGES OR FLAT

VARIOUS DIAMETERS AVAILABLE

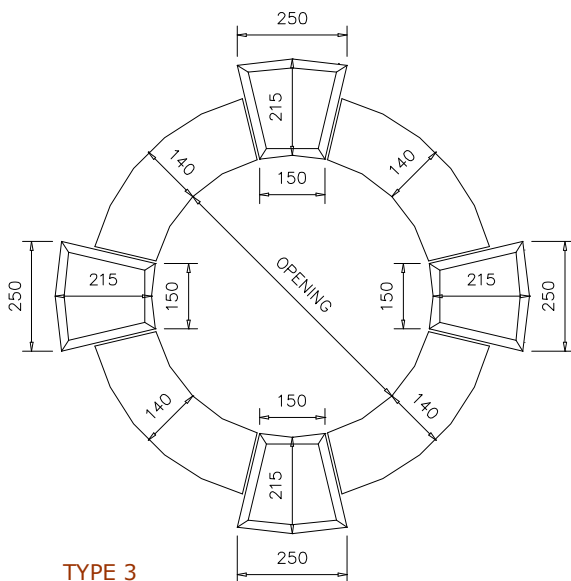
SPECIALS MANUFACTURED TO ORDER



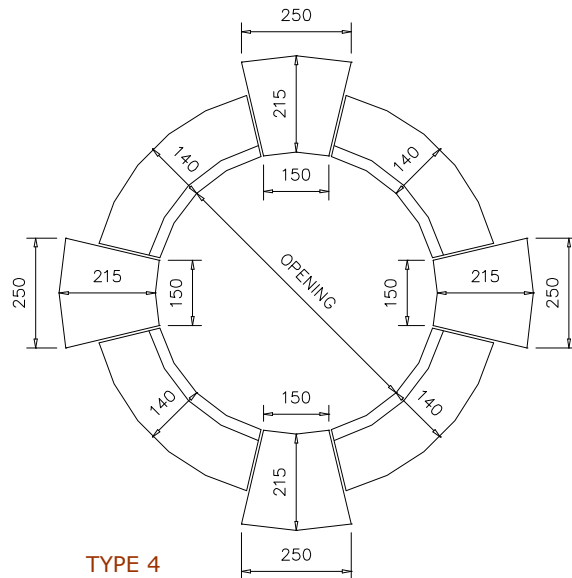
TYPE 1



TYPE 2



TYPE 3

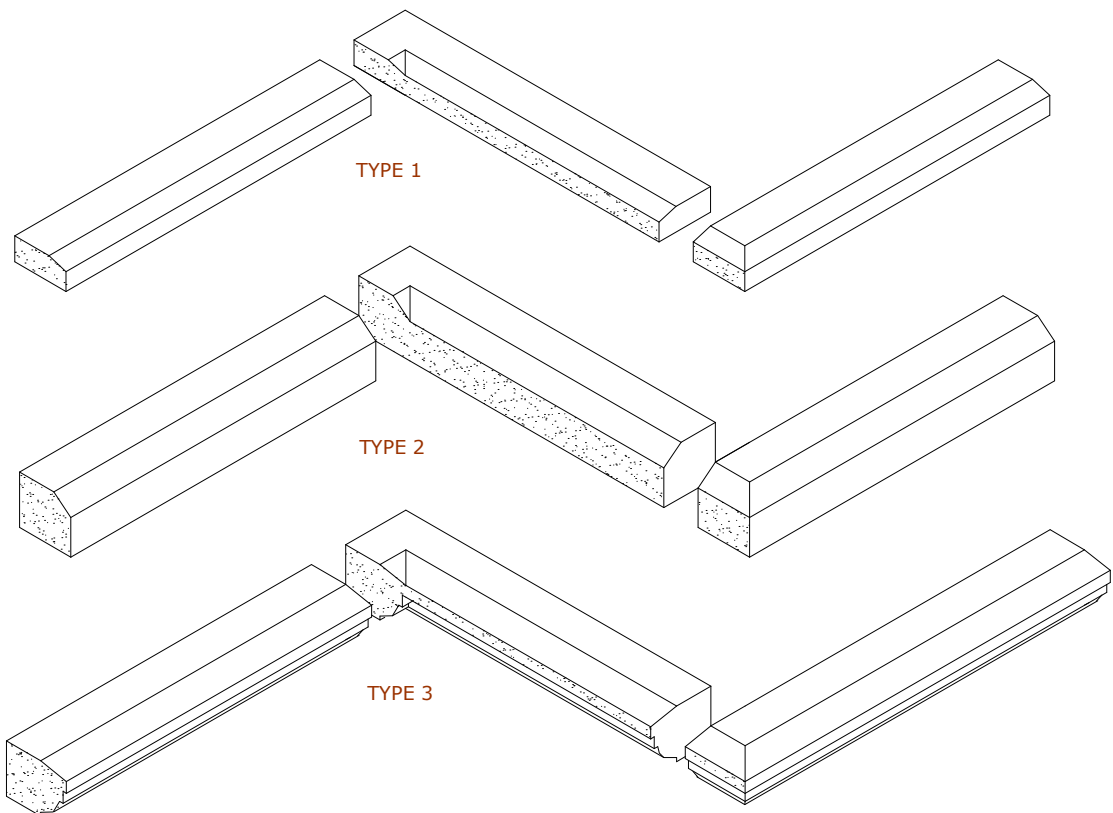
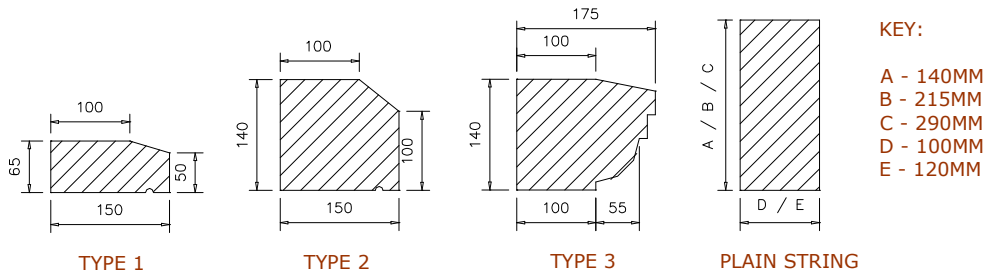


TYPE 4



# String Course

5.0



**NOTES:**

ALL STRING COURSE TYPES AVAILABLE WITH SPECIAL AS FOLLOWS

90° INTERNAL AND EXTERNAL RETURNS  
45° INTERNAL AND EXTERNAL RETURNS  
STOP END UNITS

BESPOKE ANGLE RETURNS MANUFACTURED TO ORDER

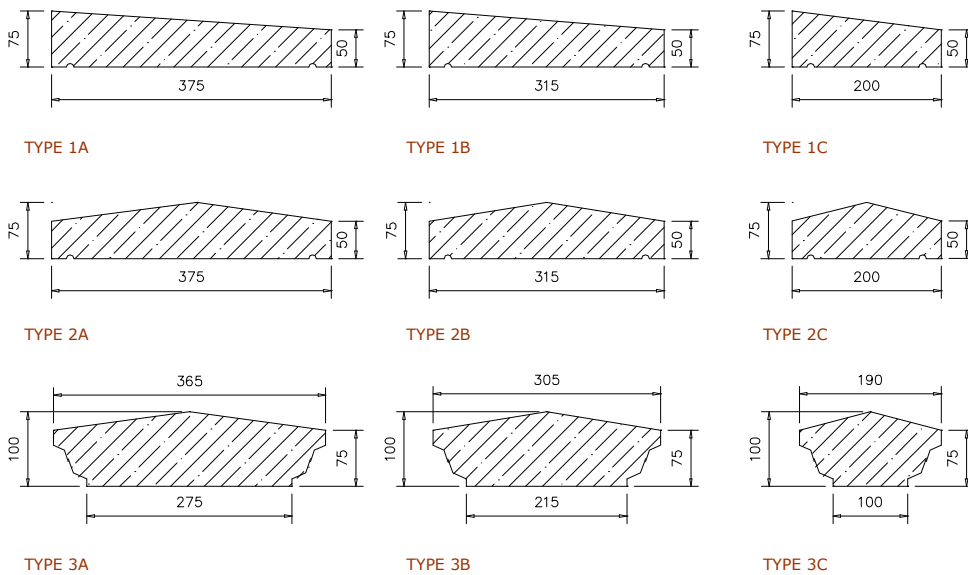
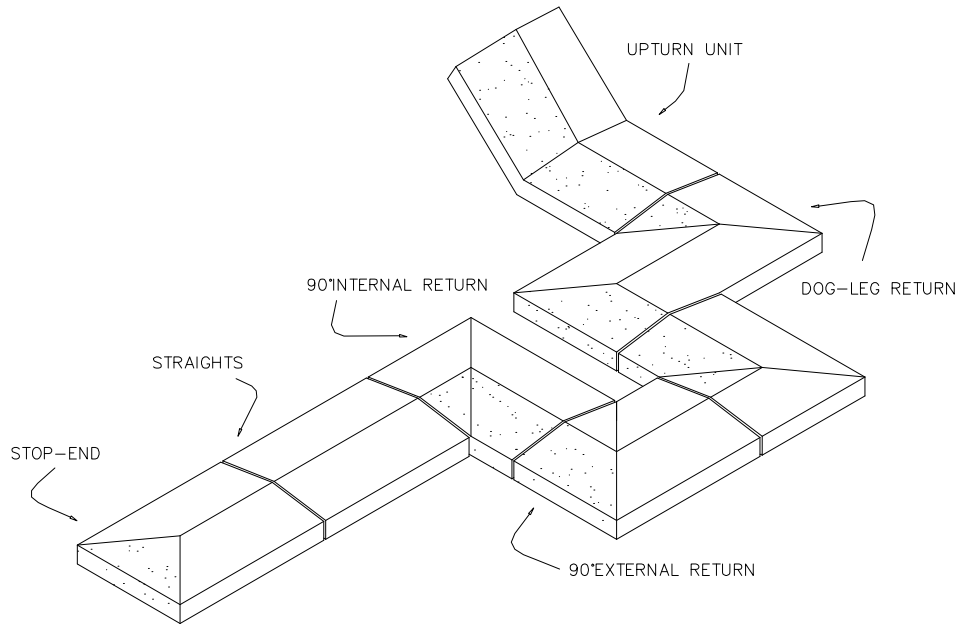
ALL STRING COURSE SUPPLIED TO MAXIMUM LENGTH OF 890MM

ALL NON-STANDARD SIZES AND PROFILES MANUFACTURED TO ORDER



# Copings

6.0



TYPE 1 - ONCE WEATHERED 75x50  
TYPE 2 - TWICE WEATHERED 75x50  
TYPE 3 - MOULDED 100x75

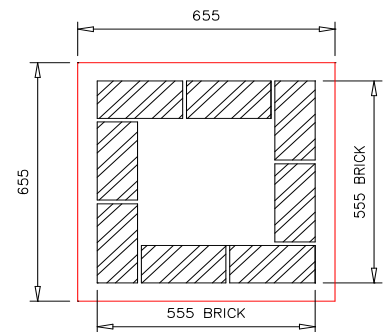
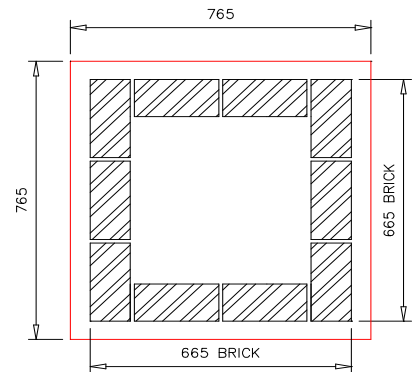
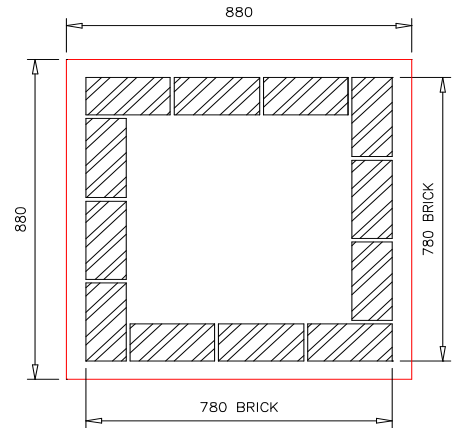
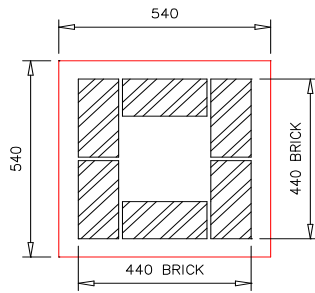
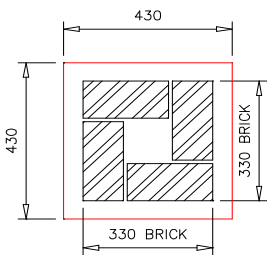
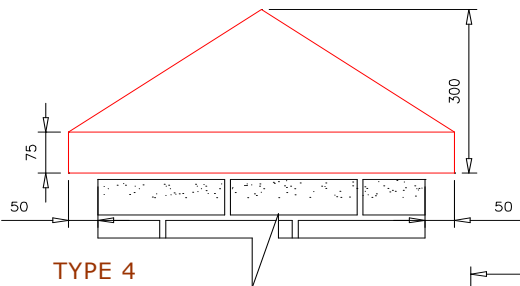
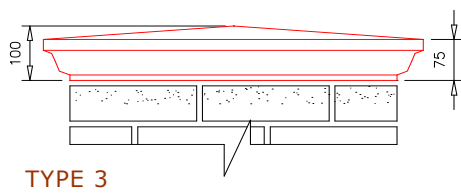
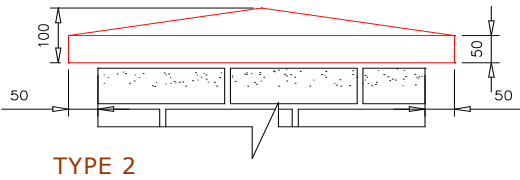
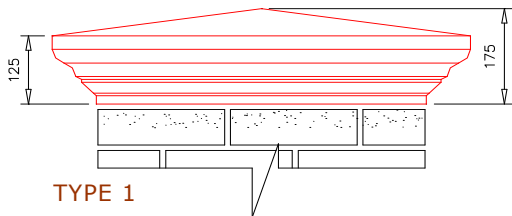
NOTE:  
A - 375MM - MAXIMUM WALL WIDTH 275MM  
B - 315MM - MAXIMUM WALL WIDTH 215MM  
C - 200x190MM - MAX WALL WIDTH 100MM

OTHER WIDTHS AND STYLES MANUFACTURED TO ORDER



# Pier Cap

7.0



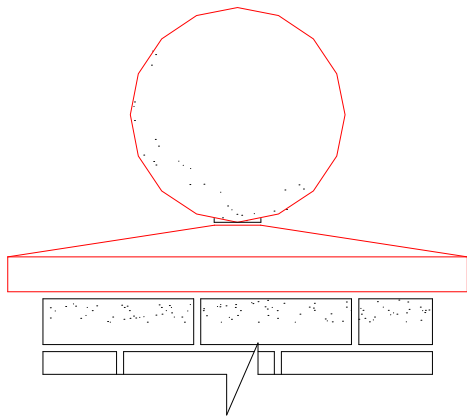
NOTE: 300mm SPHERE MAY BE APPLIED TO PIER CAP SIZE C AND ABOVE.

ALTERNATE STYLES AND JUNCTIONS MANUFACTURED TO ORDER

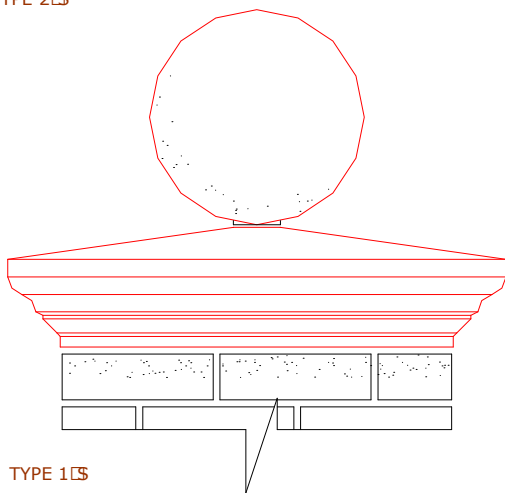


# Spheres

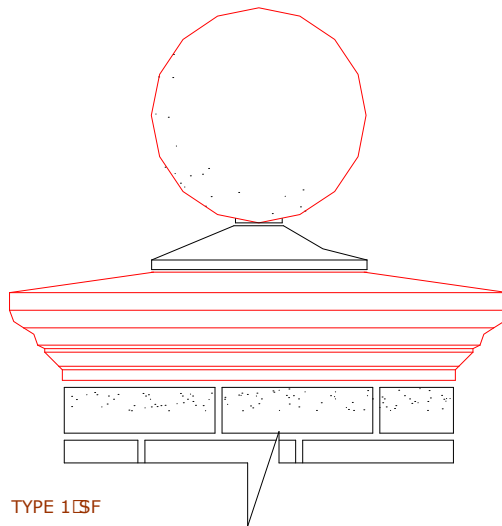
# 7.1



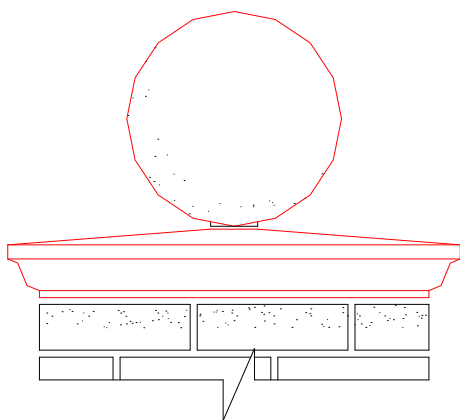
TYPE 2[S]



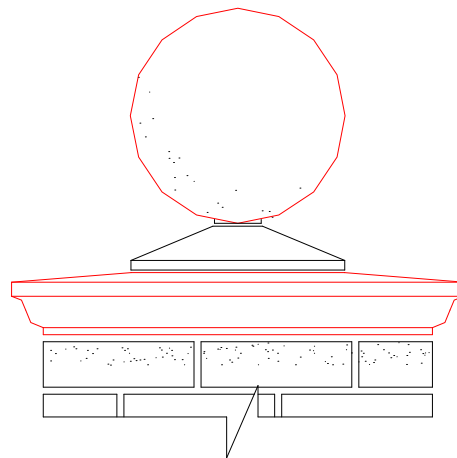
TYPE 1[S]



TYPE 1[F]



TYPE 3[S]



TYPE 3[F]

PIER CAPS WITH SPHERES ARE GENERALLY IN ACCORDANCE WITH STANDARD PIERCAPS

SPHERES SUPPLIED ARE 300MMØ

PIER CAPS SUFFIXED [S] ARE SUPPLIED WITH 100MM SQUARE FLATS TO PEAK AND IN 2PCS

PIER CAPS SUFFIXED [F] ARE SUPPLIED WITH A 300MM FLAT TO PEAK AND IN 3PCS C/W FINIAL

ALL COMPONENTS TO BE LOCATED WITH STAINLESS STEEL DOWELS AND RESIN

SPHERES ONLY APPLIED TO PIERS CAPS SIZE C AND ABOVE. SEE STANDARD PIER CAPS FOR DETAILS.



# Balustrade

8.0

**NOTE:**

BALUSTRADE SUPPLIED PRE-DRILLED TO ACCEPT STAINLESS STEEL LOCATION DOWELS (SUPPLIED EITHER AS AN EXTRA OR BY OTHERS)

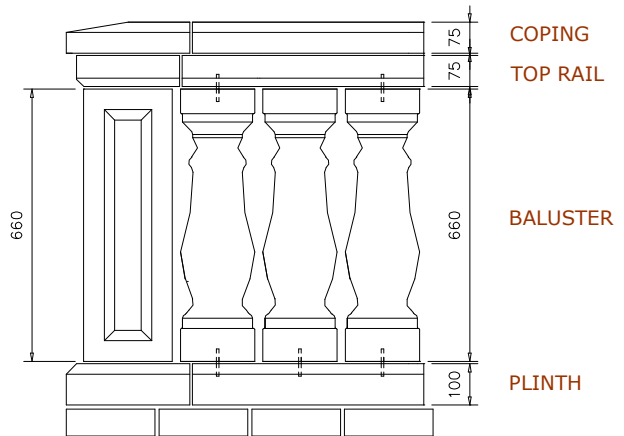
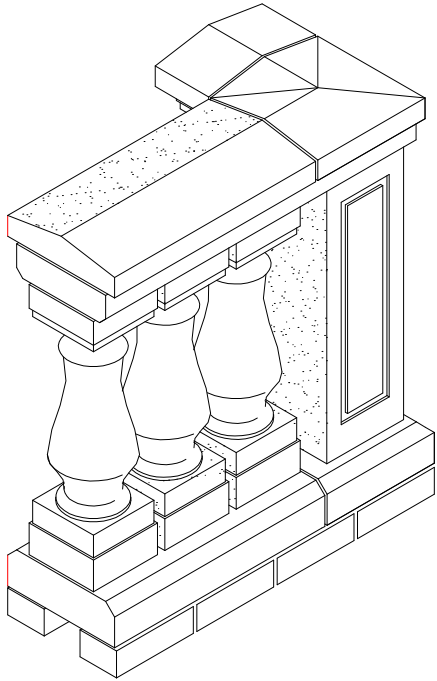
HEIGHT OF PLINTH CAN BE INCREASED TO SUIT.

SPECIALS MANUFACTURED TO ORDER INCLUDE:

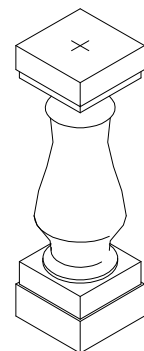
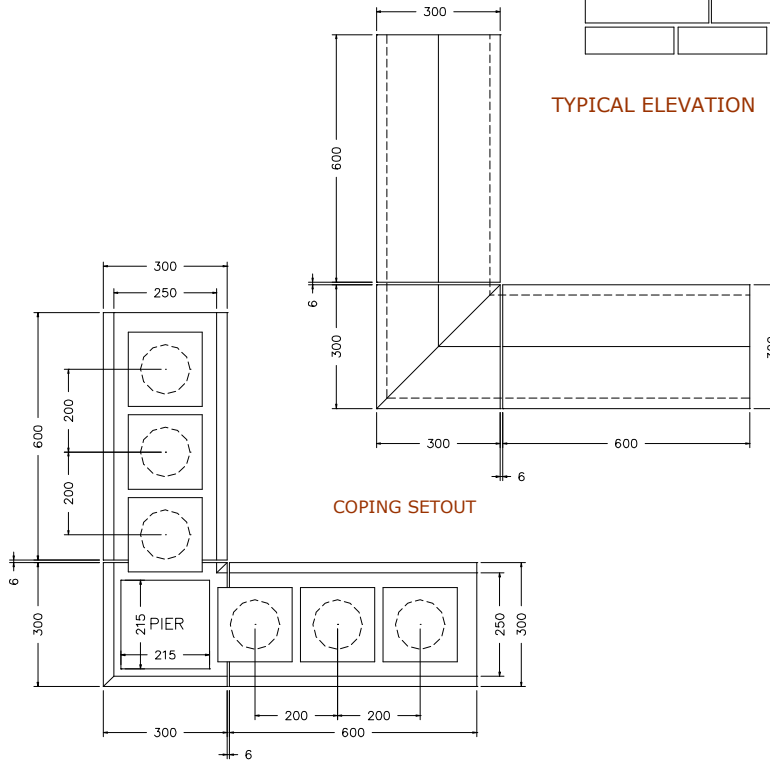
RADIAL ON PLAN SETS

RAKED STAIR SETS

45° INTERNAL AND EXTERNAL SETS



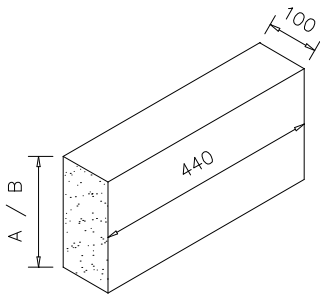
TYPICAL ELEVATION



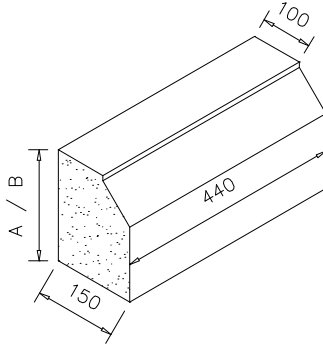


# Ashlar

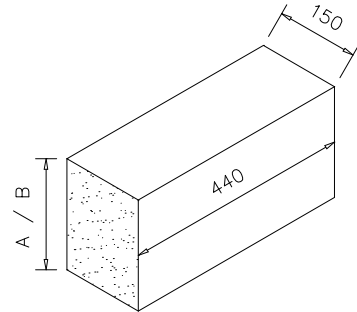
9.0



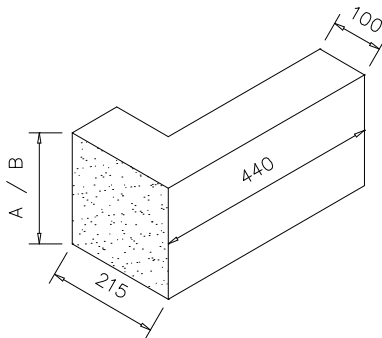
PLAIN ASHLAR



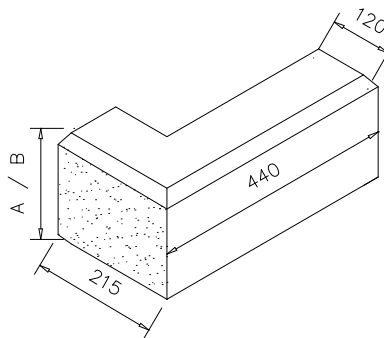
CHAMFERED BASE BLOCK



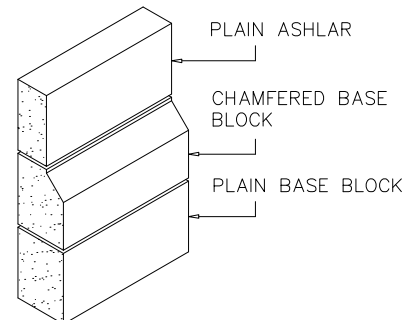
PLAIN BASE BLOCK



PLAIN QUOIN BLOCK



CHAMFERED QUOINS



ASHLAR CONFIGURATION

**NOTES:**

DIM A - 215MM HIGH  
DIM B - 290MM HIGH

CHAMFERED QUOINS MANUFACTURED WITH 20 X 20MM CHAMFER TO 6 EDGES

QUOINS MAY BE WIDENED TO SUIT THICKNESS OF WALLING

CHAMFERED BASE BLOCK MANUFACTURED WITH 50 X 50MM CHAMFER

PLAIN BASE BLOCK TO SUIT CHAMFERED BASE BLOCK (SEE ASHLAR CONFIGURATION)

NON STANDARD DIMENSIONS AND DESIGNS MANUFACTURED TO ORDER

**SPECIALS AVAILABLE:**

90° INTERNAL □ EXTERNAL RETURNS  
45° INTERNAL □ EXTERNAL RETURNS  
FORMED FACED ENDS

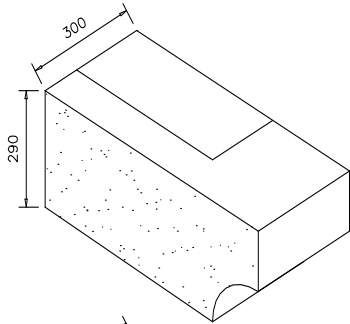
**WEIGHTS**

PLAIN ASHLAR - APPROX 22KG  
CHAMFERED BASE BLOCK - APPROX 31KG  
PLAIN BASE BLOCK - APPROX 27KG  
PLAIN 215MM QUOIN BLOCK - APPROX 27KG  
PLAIN 290MM QUOIN BLOCK - APPROX 37KG  
CHAMFERED 215MM QUOIN BLOCK - APPROX 33KG  
CHAMFERED 290MM QUOIN BLOCK - APPROX 45KG

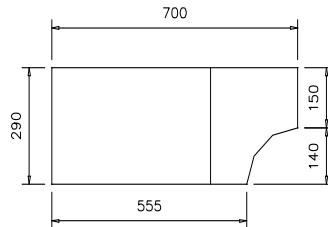


# Corbels

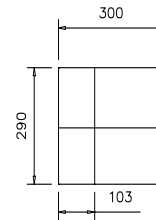
10.0



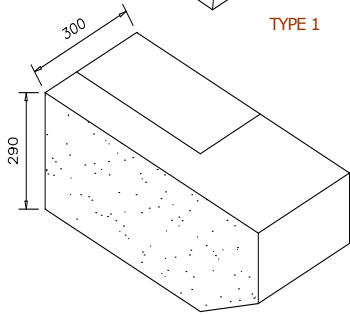
TYPE 1



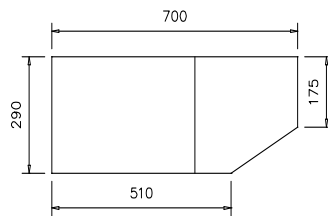
ELEVATION TYPE 1



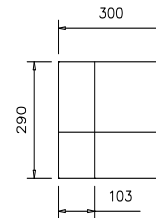
SIDE ELEVATION TYPE 1



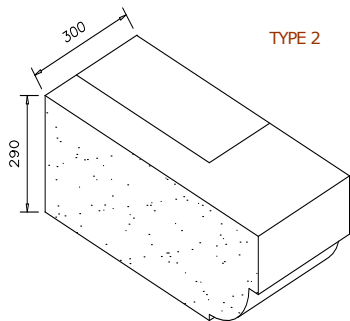
TYPE 2



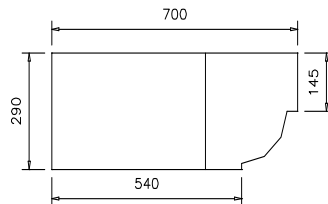
ELEVATION TYPE 2



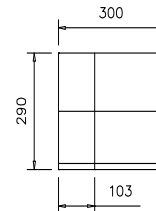
SIDE ELEVATION TYPE 2



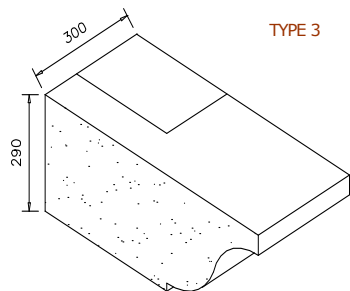
TYPE 3



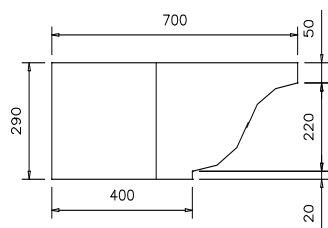
ELEVATION TYPE 3



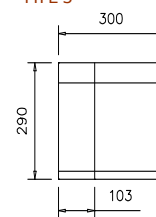
SIDE ELEVATION TYPE 3



TYPE 4



ELEVATION TYPE 4



SIDE ELEVATION TYPE 4

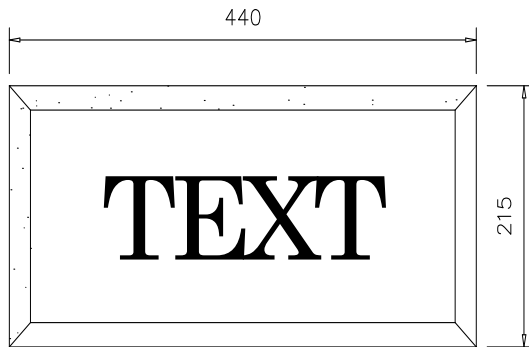
NOTE:  
ALL STANDARD CORBELS TO MAXIMUM DEPTH 300MM  
CORBELS CAN BE MANUFACTURED IN SECTION AS SHOWN BY  
DOTTED LINE TO SUIT CAVITY CONSTRUCTION. PLEASE ADVISE ON  
PLACEMENT OF ORDER  
MAXIMUM LENGTH OF STANDARD CORBELS 700MM O/A

SPECIALS OR NON-STANDARD CORBELS MANUFACTURED TO ORDER.



## Features

11.0



### NAME AND DATE STONES

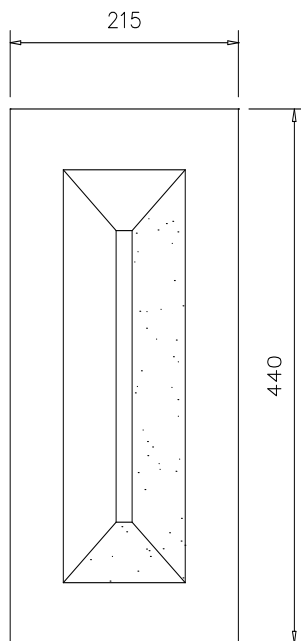
STANDARD DIMENSIONS:  
440MM (L) X 215MM (H)

AVAILABLE WITH OR WITHOUT CHAMFER  
AND WITH VARIOUS TEXT.

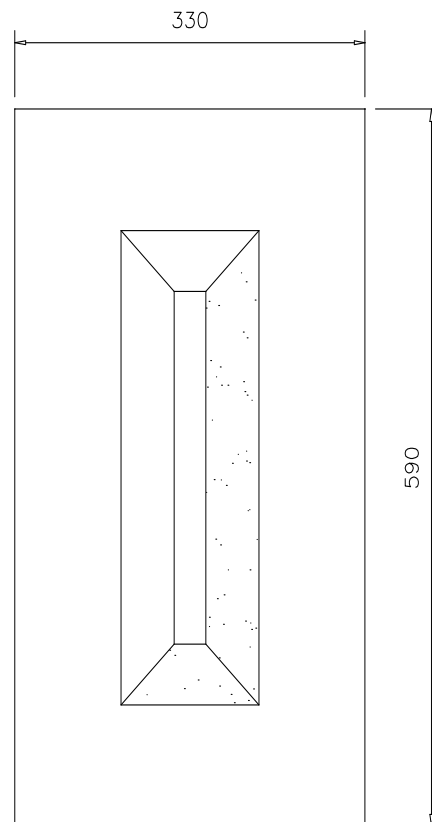
TEXT / NUMERALS IN RECESSED  
CENTURY TYPEFACE.

NON STANDARD DIMENSIONS  
MANUFACTURED TO ORDER. MAXIMUM  
DEPTH 150MM

### ELEVATION-STANDARD NAME/DATE STONE



ELEVATION TYPE 1



ELEVATION TYPE 2

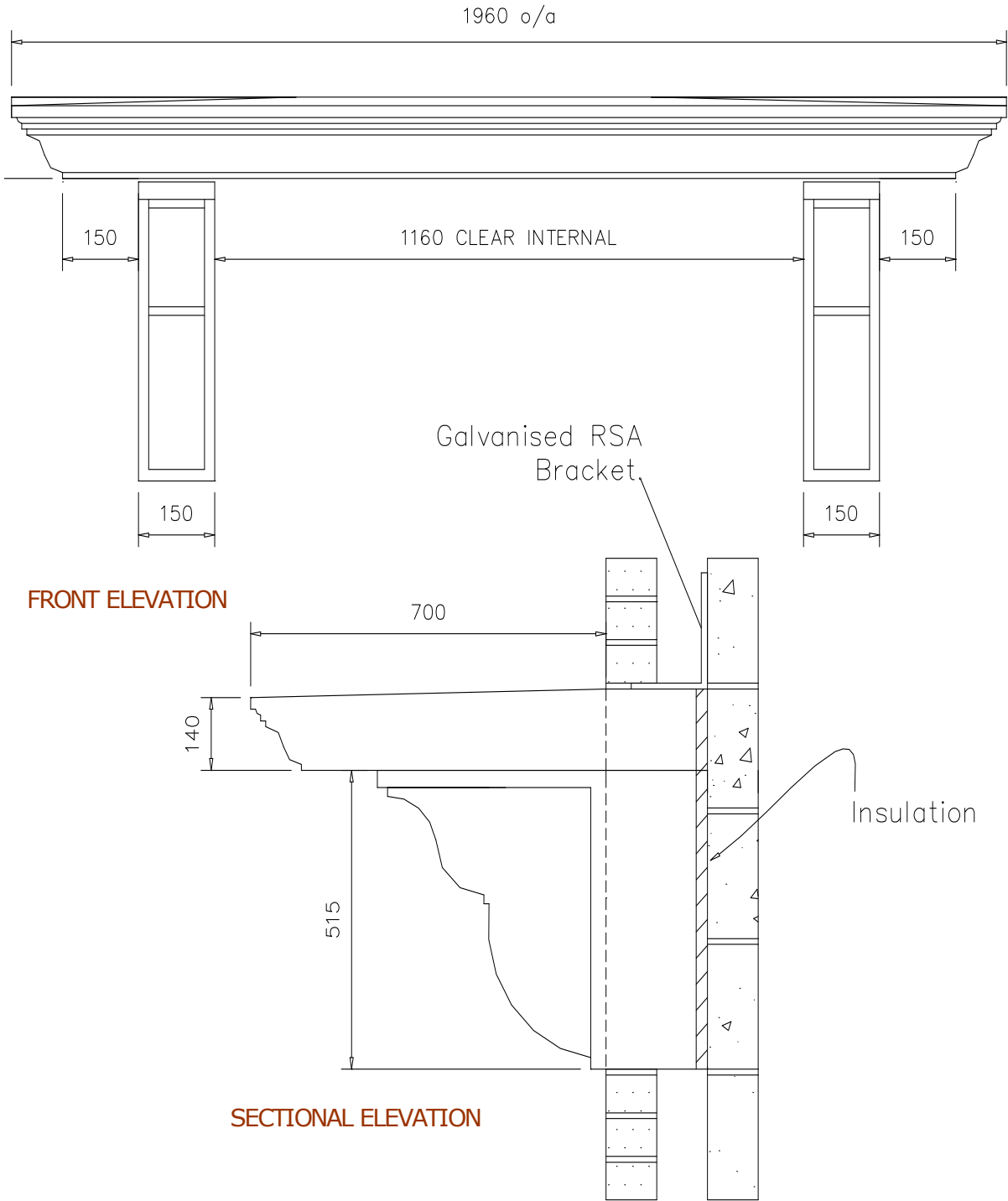
GABLE VENTS AVAILABLE IN VARIOUS  
DEPTHS, MAXIMUM DEPTH 150MM

AVAILABLE AS FALSE BACKED UNITS OR  
THROUGH UNITS



# Canopies

12.0

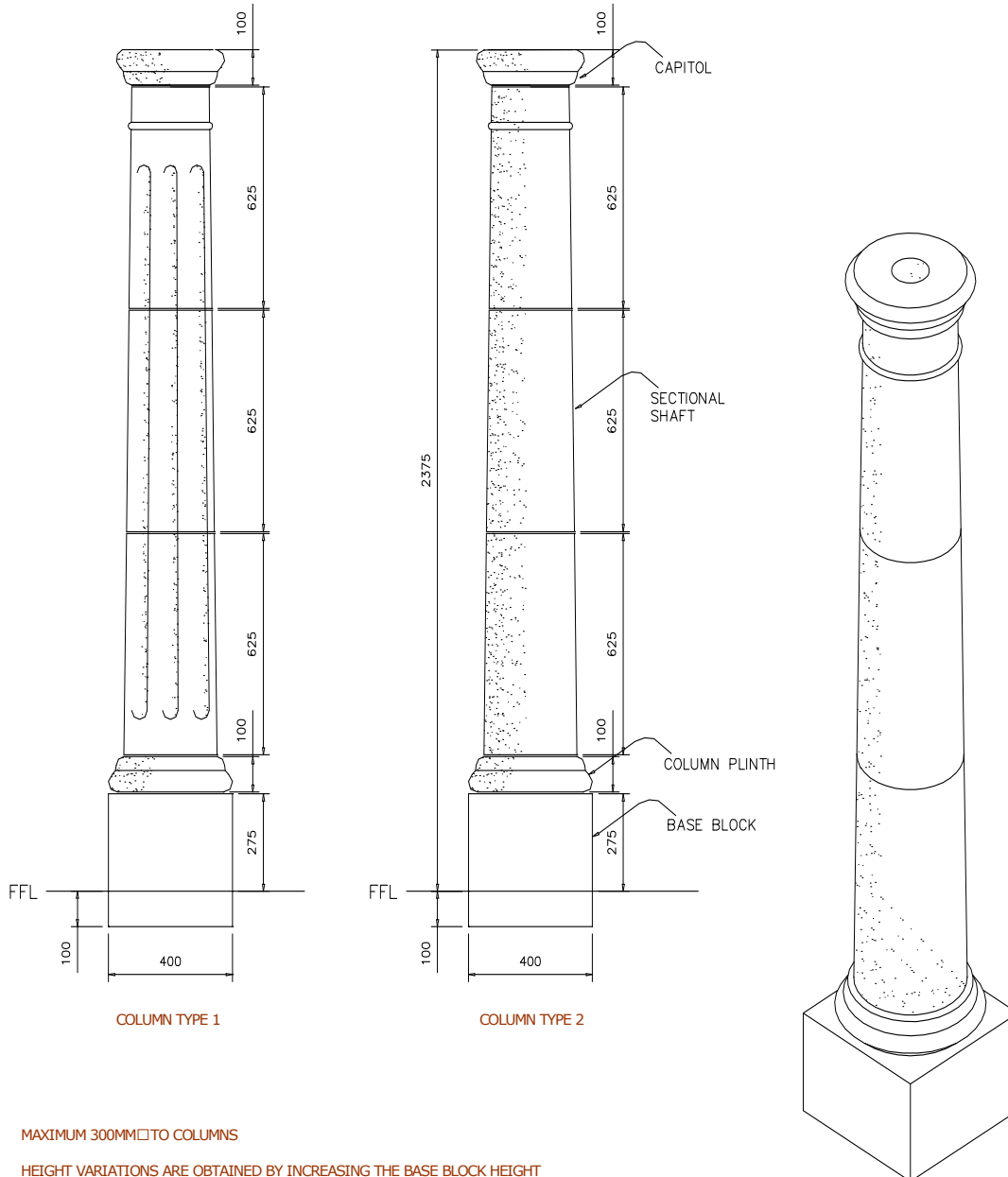


CAST STONE CANOPY



# Columns

13.0



MAXIMUM 300MM□ TO COLUMNS

HEIGHT VARIATIONS ARE OBTAINED BY INCREASING THE BASE BLOCK HEIGHT

COLUMNS SUPPLIED SOLID OR IN HOLLOW SECTION

HOLLOW SECTION COLUMNS ARE SUPPLIED WITH A 100MM□ INTERNAL CORE AND MUST BE LINED WITH A SUITABLE MEMBRANE TO COUNTER DEFECTS CAUSED BY DIFFERENTIAL RATES OF EXPANSION AND CONTRACTION POST INSTALLATION.

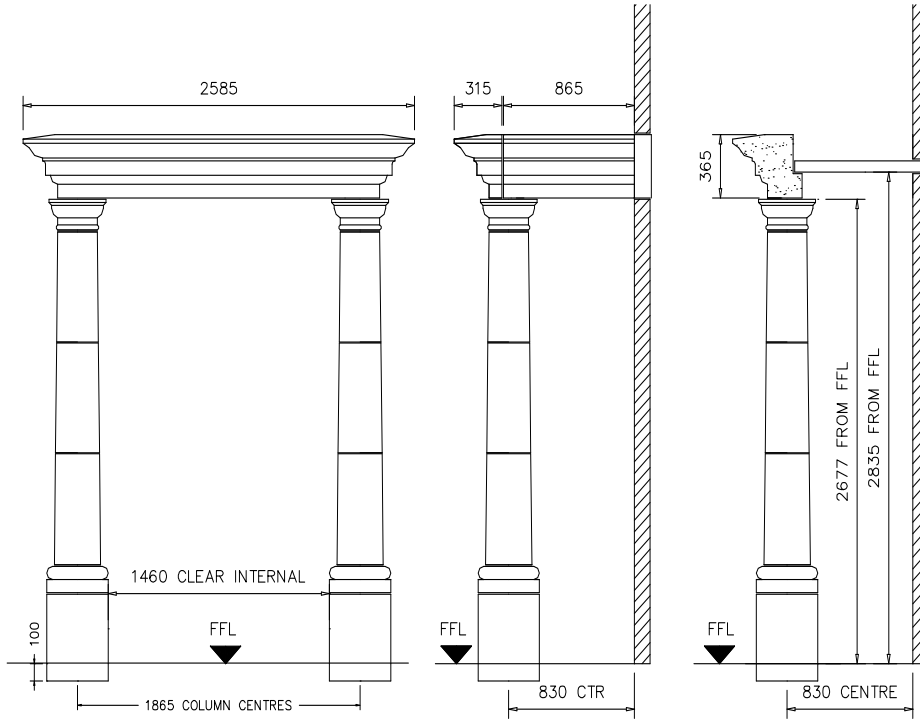
FOUNDATIONS TO BE DESIGNED BY OTHERS

A CHOICE OF COLUMNS IS AVAILABLE ON STANDARD PORTICOS



# Porticos

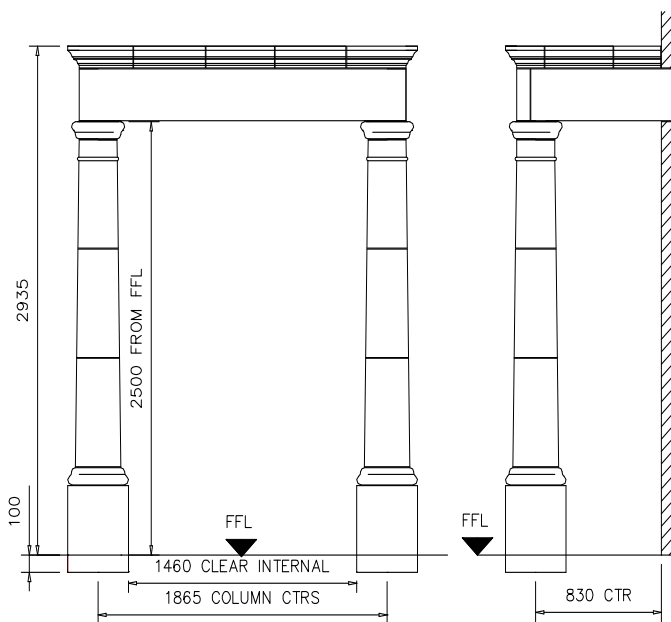
14.0



FRONT ELEVATION-PORTICO TYPE 1

SIDE ELEVATION-PORTICO TYPE 1

SECTION-PORTICO TYPE 1



FRONT ELEVATION-PORTICO TYPE 2

SIDE ELEVATION-PORTICO TYPE 2

ALL PORTICOS ARE SUPPLIED AS SEPERATE COMPONENTS FOR INSTALLATION ON SITE

PORTICO TYPE 1 IS MANUFACTURED AS DRAWN WITH LIMITED EXPANDABILITY. HEIGHT IS ADJUSTABLE. IF A WIDER PORTICO IS REQUIRED ADDITIONAL COLUMNS WOULD BE REQUIRED

PORTICO TYPE 2 MAY BE ADJUSTED AS REQUIRED. PLEASE SPECIFY REQUIRED COLUMN CENTRES AND SOFFIT HEIGHT

ADDITIONAL COLUMNS MAY BE ADDED AS REQUIRED AND COLUMN STYLES MAY BE CHANGED FOR AN ALTERNATE STANDARD

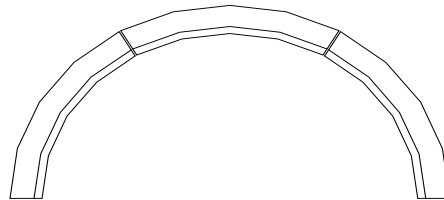
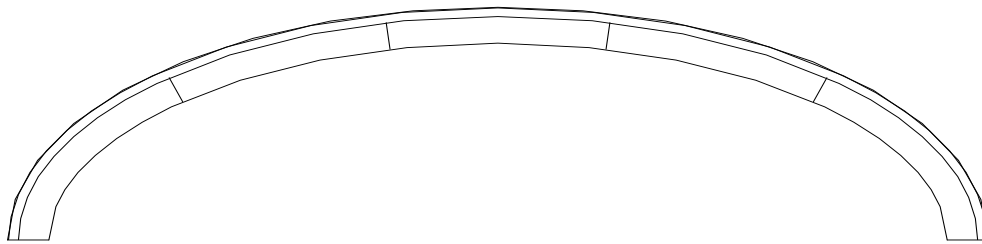
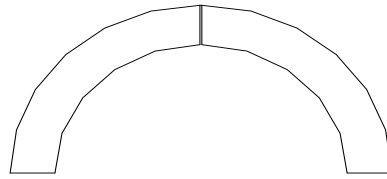
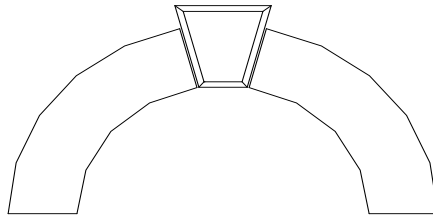
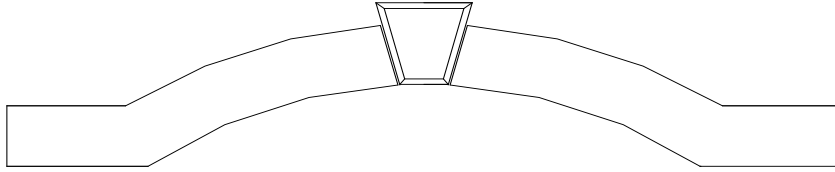
ALL STRUCTURAL CALCULATIONS AND FOUNDATION DESIGNS ARE THE RESPONSIBILITY OF THE CLIENT

SPECIALS MANUFACTURED TO ORDER



## Arch

15.0



Please contact us for further information on this type of product

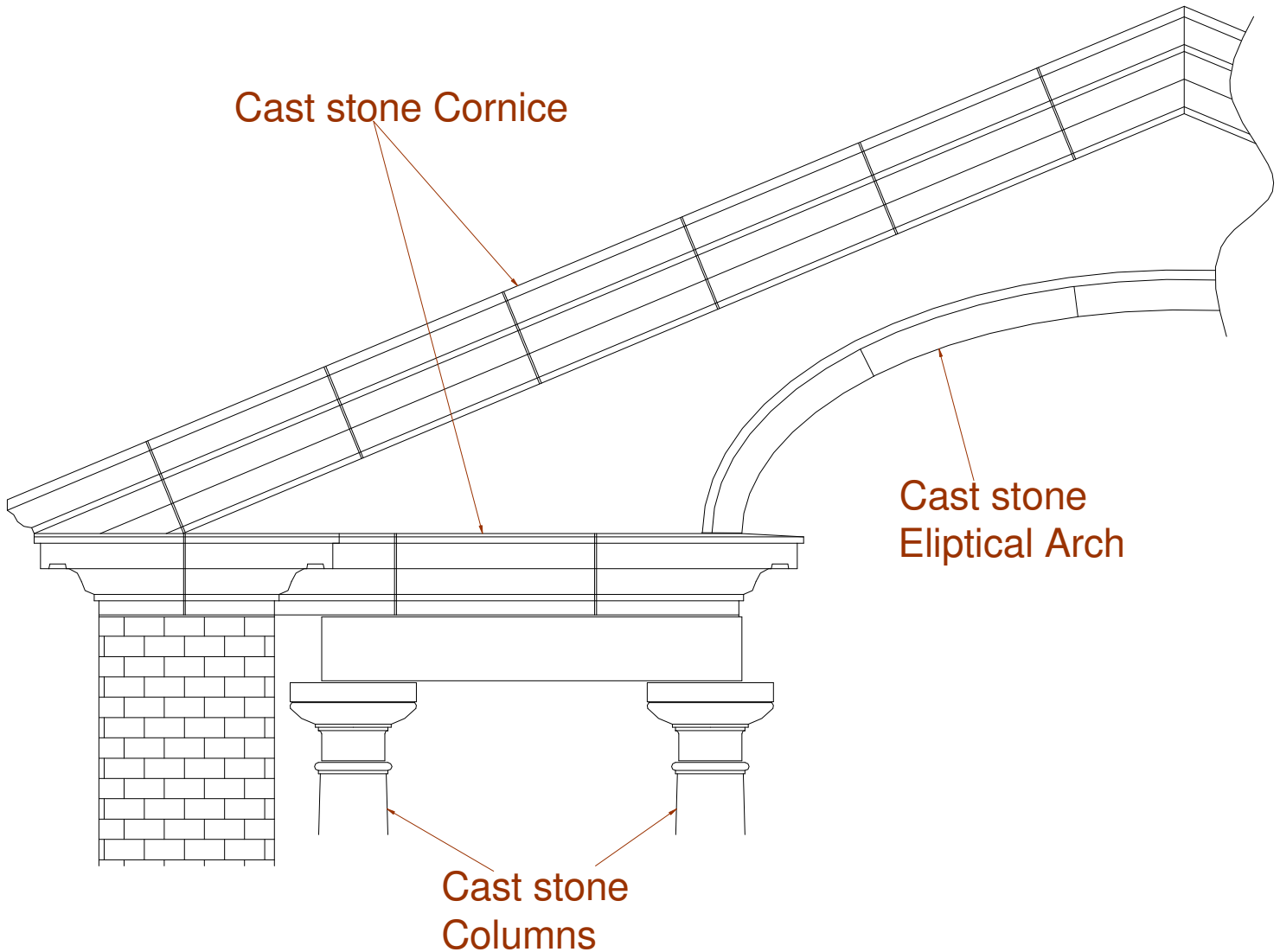
Newhold, Aberford Road Garforth Leeds LS25 2HG  
Tel. 0113 286 3329 Fax. 0113 286 7376  
Sales@proctergarforth.co.uk  
Www.caststoneuk.co.uk

15.0



## Cornice

16.0

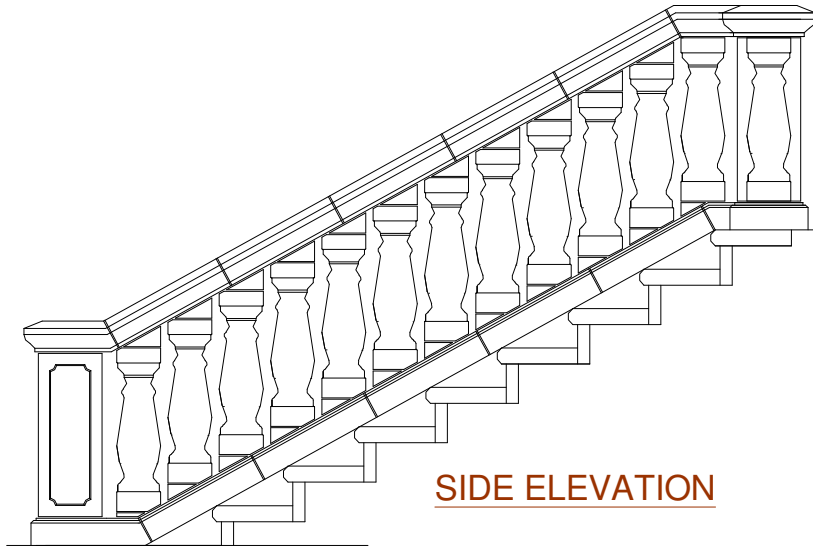


Please contact us for further information on this type of product

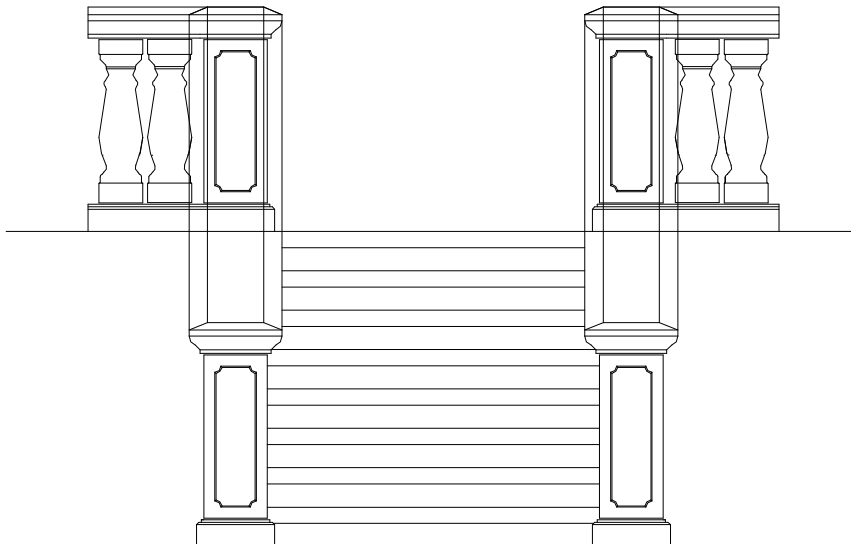


## Steps

17.0



SIDE ELEVATION



FRONT ELEVATION

Please contact us for further information on this type of product