



Balustrade

8.0

NOTE:

BALUSTRADE SUPPLIED PRE-DRILLED TO ACCEPT STAINLESS STEEL LOCATION DOWELS (SUPPLIED EITHER AS AN EXTRA OR BY OTHERS)

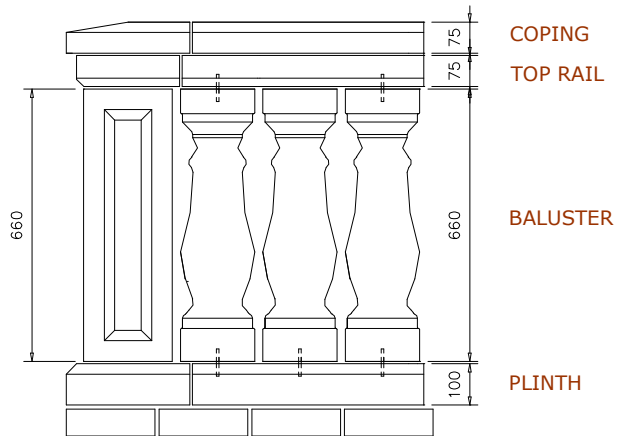
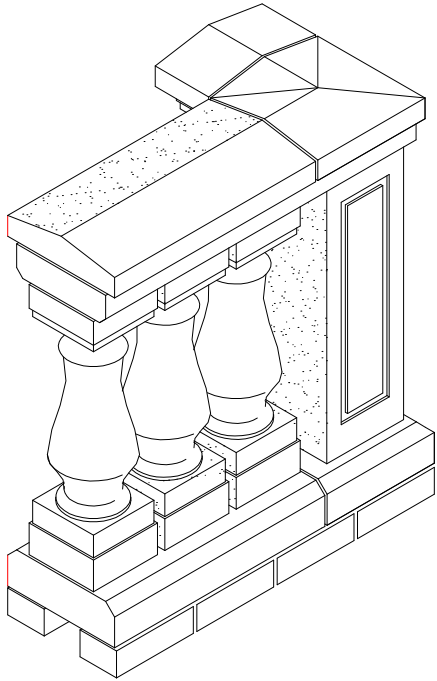
HEIGHT OF PLINTH CAN BE INCREASED TO SUIT.

SPECIALS MANUFACTURED TO ORDER INCLUDE:

RADIAL ON PLAN SETS

RAKED STAIR SETS

45°INTERNAL AND EXTERNAL SETS



TYPICAL ELEVATION

