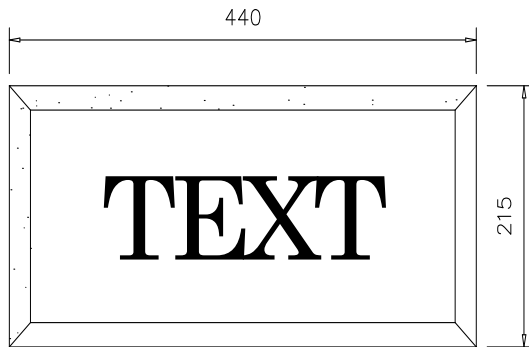




Features

11.0



NAME AND DATE STONES

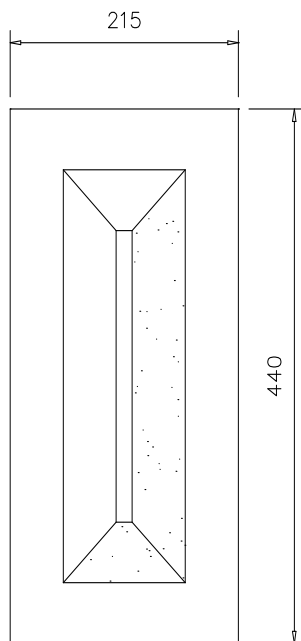
STANDARD DIMENSIONS:
440MM (L) X 215MM (H)

AVAILABLE WITH OR WITHOUT CHAMFER
AND WITH VARIOUS TEXT.

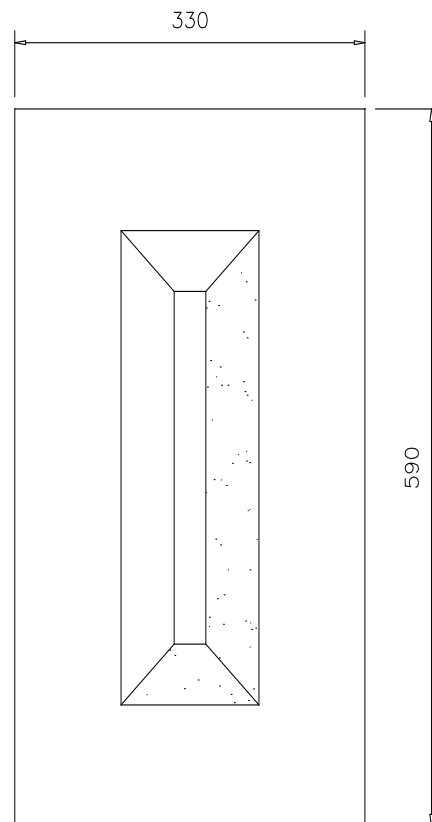
TEXT / NUMERALS IN RECESSED
CENTURY TYPEFACE.

NON STANDARD DIMENSIONS
MANUFACTURED TO ORDER. MAXIMUM
DEPTH 150MM

ELEVATION-STANDARD NAME/DATE STONE



ELEVATION TYPE 1



ELEVATION TYPE 2

GABLE VENTS AVAILABLE IN VARIOUS
DEPTHS, MAXIMUM DEPTH 150MM

AVAILABLE AS FALSE BACKED UNITS OR
THROUGH UNITS