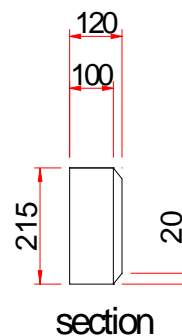
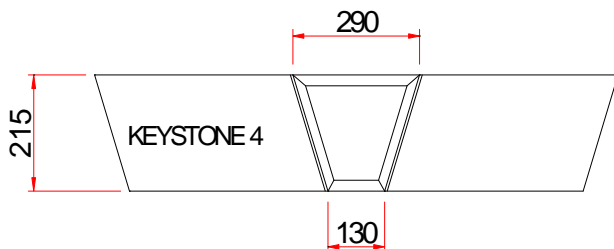
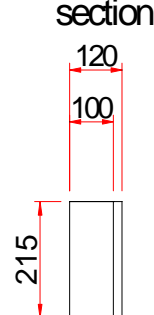
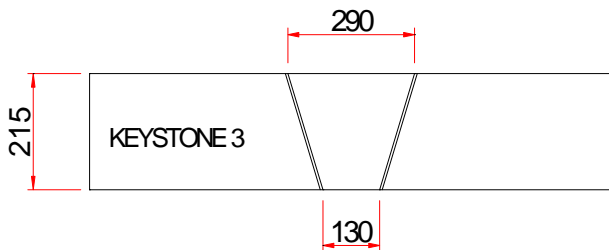
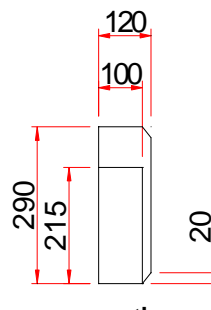
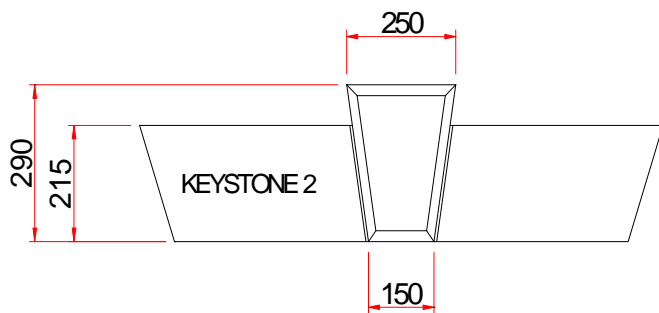
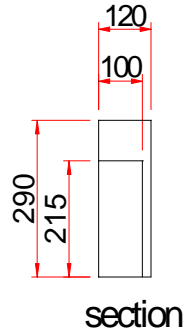
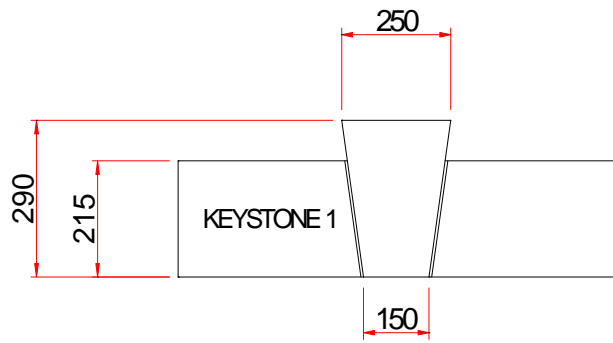




# Keystones

1.1



NOTE:  
KEYSTONES SHOWN CAN BE USED IN CONJUNCTION WITH ALL STANDARD HEAD TYPES.

WHERE A PROJECTING KEYSTONE IS REQUIRED (KEYSTONE TYPES 1 AND 2) THE HEAD WILL BE SUPPLIED IN MINIMUM OF 3PCS.

LINTELS COMPRISING OF KEYSTONE TYPE 3 AND 4 CAN BE SUPPLIED IN 1PC SUBJECT TO REQUIREMENTS & LENGTH RESTRICTIONS

ALL HEADS ARE NON-LOAD BEARING COMPONENTS AND MUST BE USED IN CONJUNCTION WITH A SUITABLE LOAD RELIEVING LINTEL. PLEASE CONSULT YOUR ENGINEER PRIOR TO INSTALLATION.

NON-STANDARD KEYSTONES MANUFACTURED TO ORDER.  
KEYSTONES TO SUIT LINTELS IN RENDER ALSO AVAILABLE

KEYSTONE TYPE 1 AND 2 TO BE USED ONLY WITH LINTELS 215MM OR 230MM HIGH. THE FORMER ACHIEVING A PROJECTED KEYSTONE AS ILLUSTRATED

KEYSTONE TYPE 3 AND 4 TO BE USED ONLY WITH LINTELS 140MM OR 215MM HIGH. THE LATTER ACHIEVING A FLUSH KEYSTONE AS ILLUSTRATED