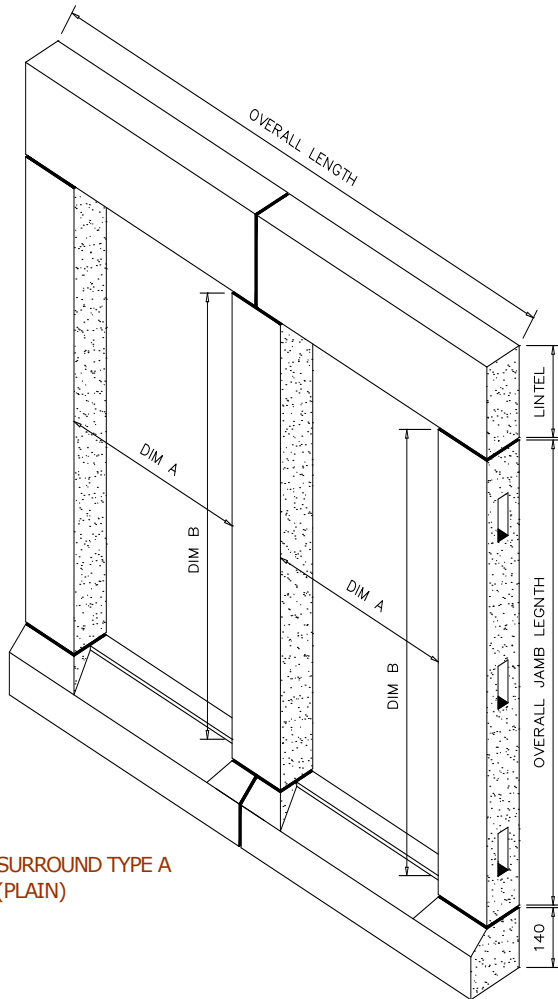




Surrounds

3.0



SURROUND TYPE A
(PLAIN)

TYPICAL MULLION / JAMB SECTIONS:

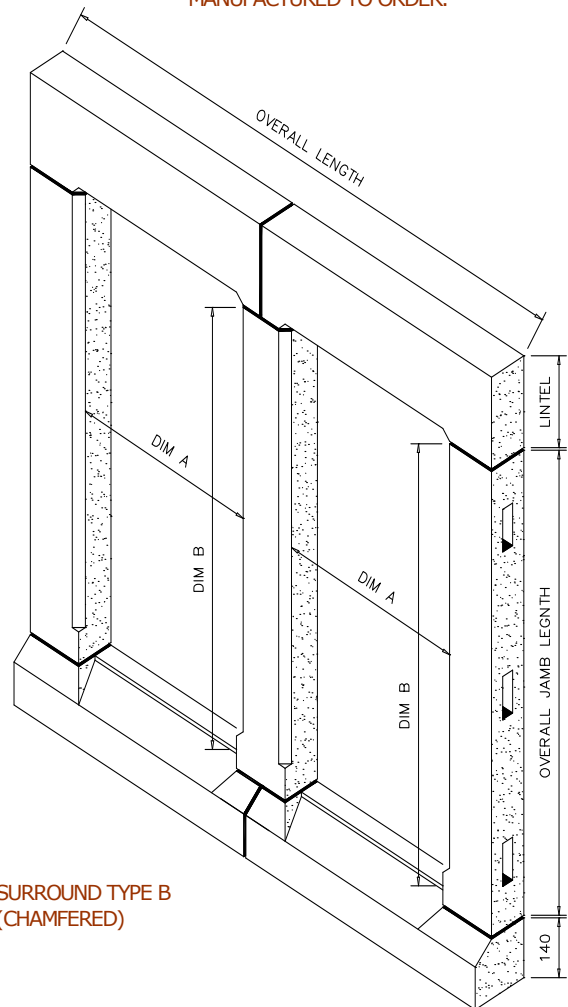
100MM X 150MM - IN BRICKWORK
100MM X 100MM - IN BRICKWORK
120MM X 120MM - IN RENDER
120MM X 170MM - IN RENDER

MULLIONS MAY BE SUPPLIED IN SECTION TO SUIT
SLENDERNESS RATIO.

ALL NON-STANDARD DIMENSIONS MANUFACTURED
TO ORDER

TYPE B SURROUND SUPPLIED C/W 20 X 20MM
CHAMFER

USE STAINLESS STEEL DOWELS TO LOCATE
COMPONENTS



SURROUND TYPE B
(CHAMFERED)

NOTE:

SURROUNDS COMPRISE OF CILLS, HEADS,
MULLIONS AND JAMBS AS PER
REQUIREMENTS

JAMBS MANUFACTURED COMPLETE WITH
ABBEY SLOTS TO SECURE BACK TO
ADJOINING BRICKWORK WITH STANDARD
FISHTAIL TIES

HEADS AND CILLS ON 2 LIGHT (AND
ABOVE) WINDOW SURROUND SUPPLIED
SPLIT AT MULLIONS

OPENING SIZES AVAILABLE (DIM A):
488MM, 630MM, 915MM, 1200MM, 1770MM

ALL NON-STANDARD COMPONENTS
MANUFACTURED TO ORDER.