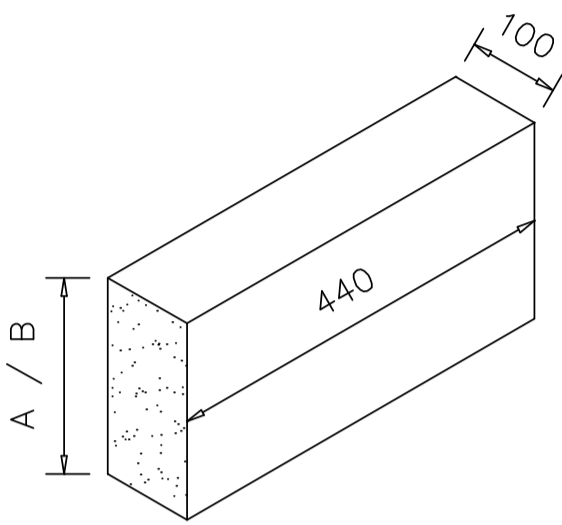
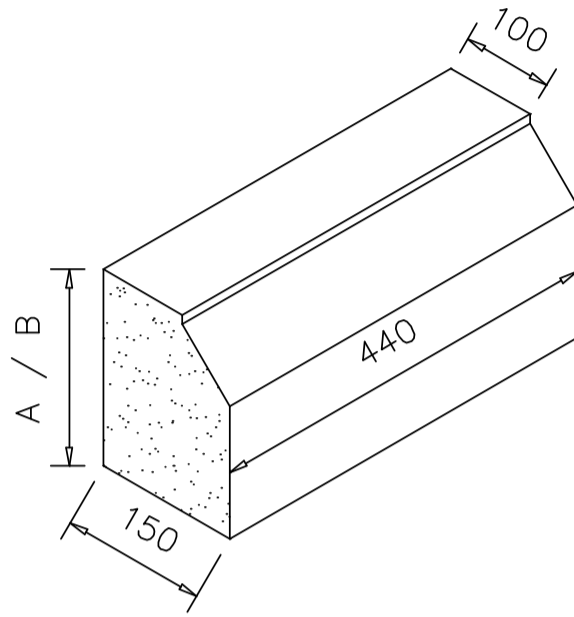


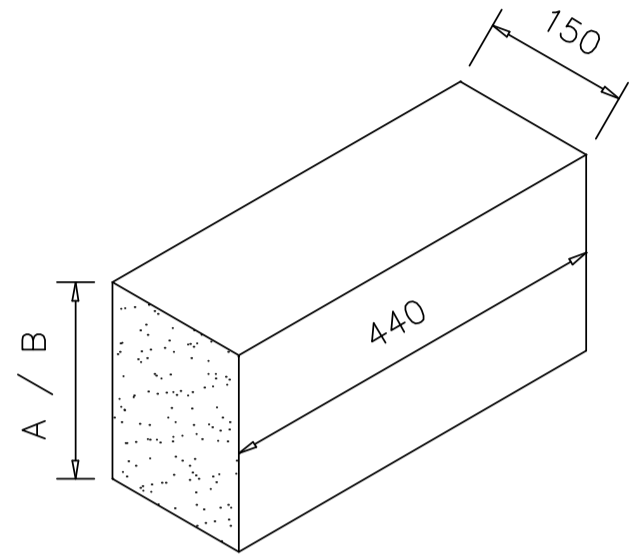
Ashlar & Quoins



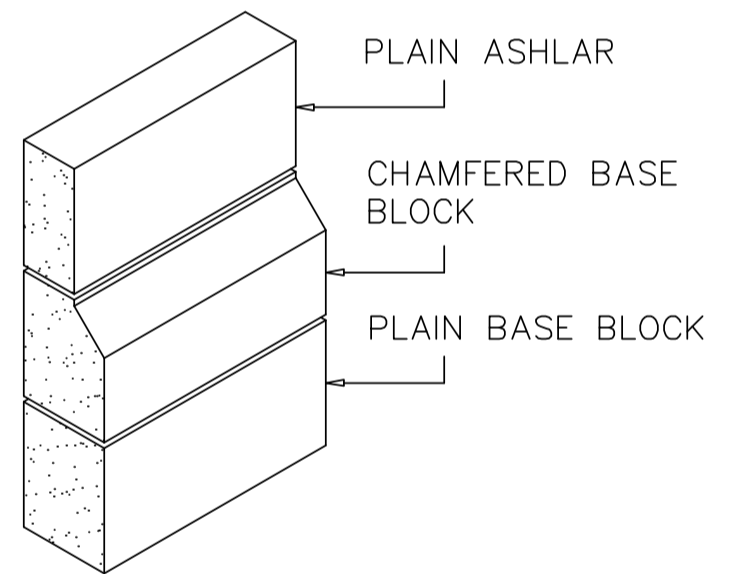
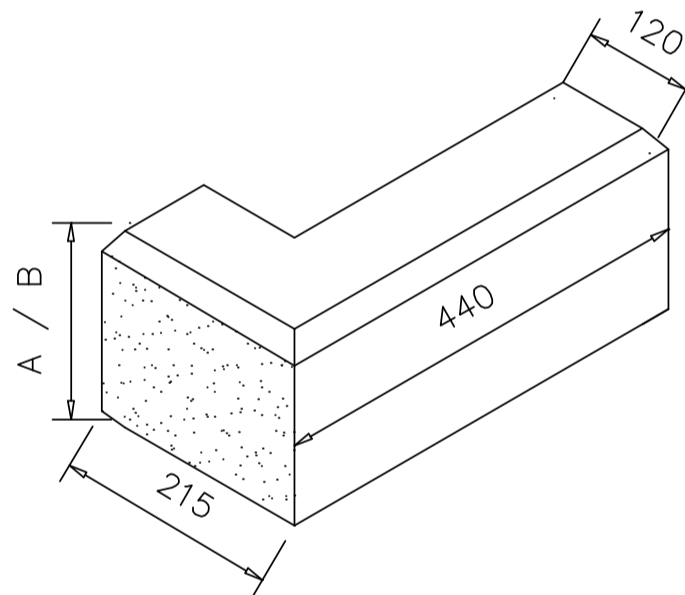
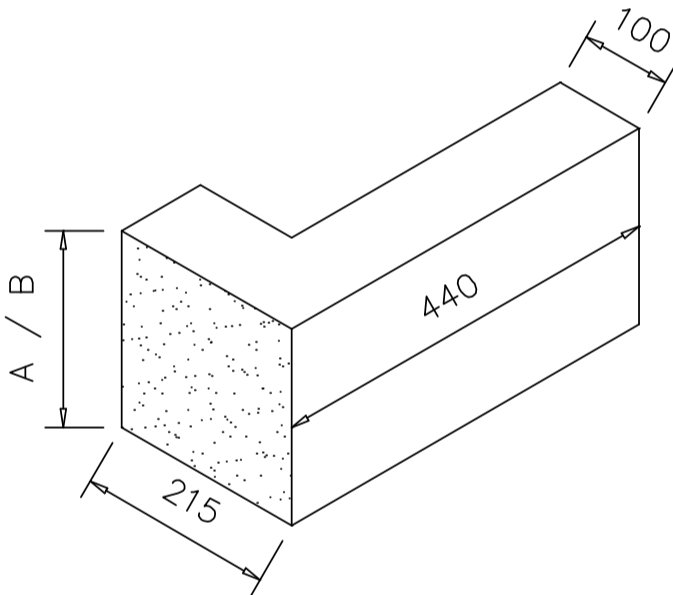
PLAIN ASHLAR



CHAMFERED BASE BLOCK



PLAIN BASE BLOCK



Notes

Dim A - 215mm high
Dim B - 290mm high

- Chamfered quoins manufactured with 20 x 20mm chamfer to 6 edges
- Quoins may be widened to suit thickness of walling
- Chamfered base block manufactured with 50 x 50mm chamfer
- Plain base block to suit chamfered base block (see ashlar configuration)
- Non standard dimensions and designs manufactured to order

Product name	Weight (approx.)
Plain Ashlar	22kg
Chamfered Base Block	31kg
Plain Base Block	27kg
Plain 215mm Quoin Block	27kg
Plain 290mm Quoin Block	37kg
Chamfered 215mm Quoin Block	33kg
Chamfered 290mm Quoin Block	45kg