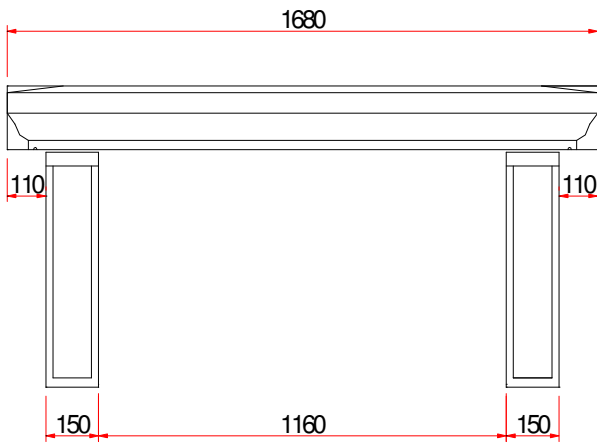


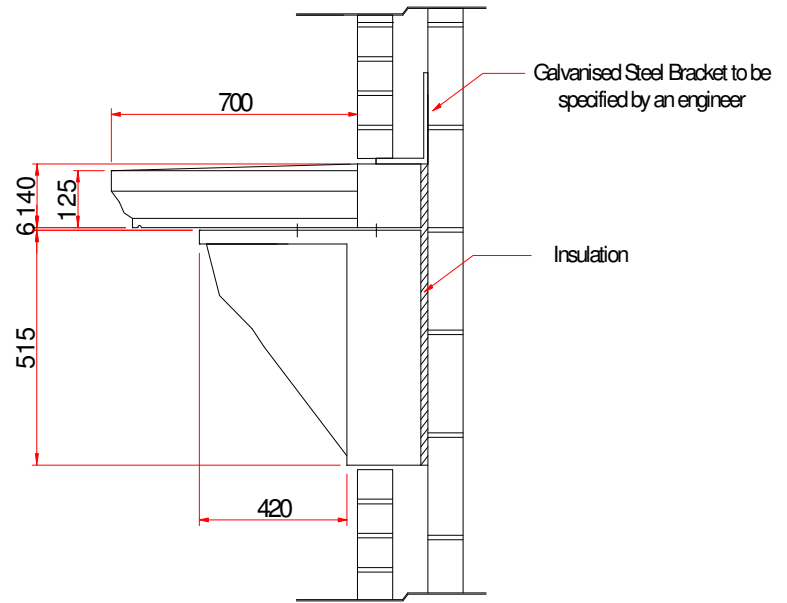


## Canopies

12.0



Front elevation



Side Elevation

### CAST STONE CANOPY

CANOPY AND CANTILEVER BRACKETS SUPPLIED AS SEPARATE PIECES. ALL COMPONENTS TO BE LOCATED USING STAINLESS STEEL DOWELS AND RESIN

NOTE: BRACKETS BRIDGE THE CAVITY SO AN INSULATING PRODUCT AS SPECIFIED BY ENGINEERS MUST BE UTILISED.

ALTERNATE OPENING SIZES MANUFACTURED TO ORDER.