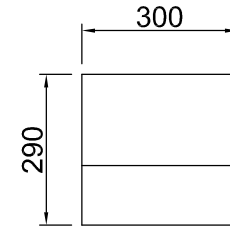
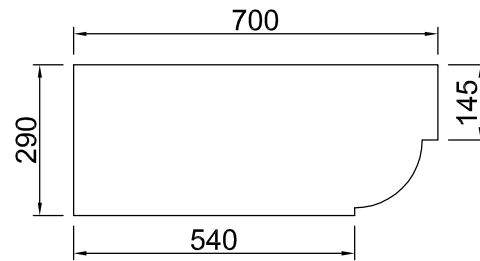
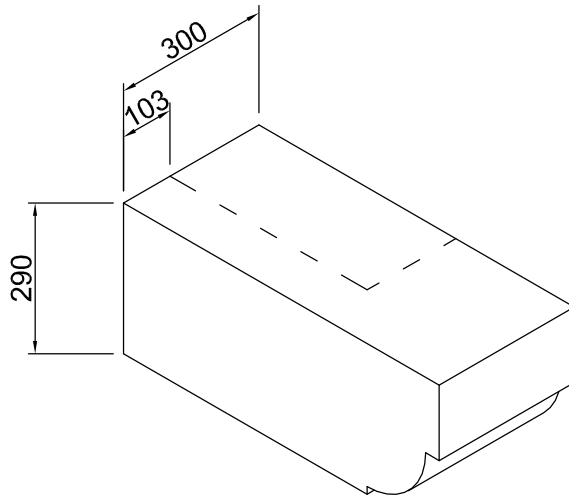


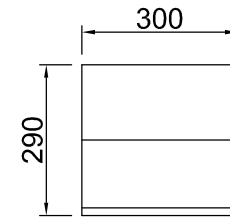
Side View



Front View



Side View



Front View

NOTE:

CORBELS CAN BE MANUFACTURED IN "L" SECTION AS SHOWN BY DOTTED LINE TO SUIT CAVITY CONSTRUCTION. PLEASE ADVISE ON PLACEMENT OF ORDER
 MAXIMUM LENGTH OF STANDARD CORBELS 700MM O/A

SPECIALS OR NON-STANDARD CORBELS MANUFACTURED TO ORDER.

PROCTER CAST STONE CORBELS