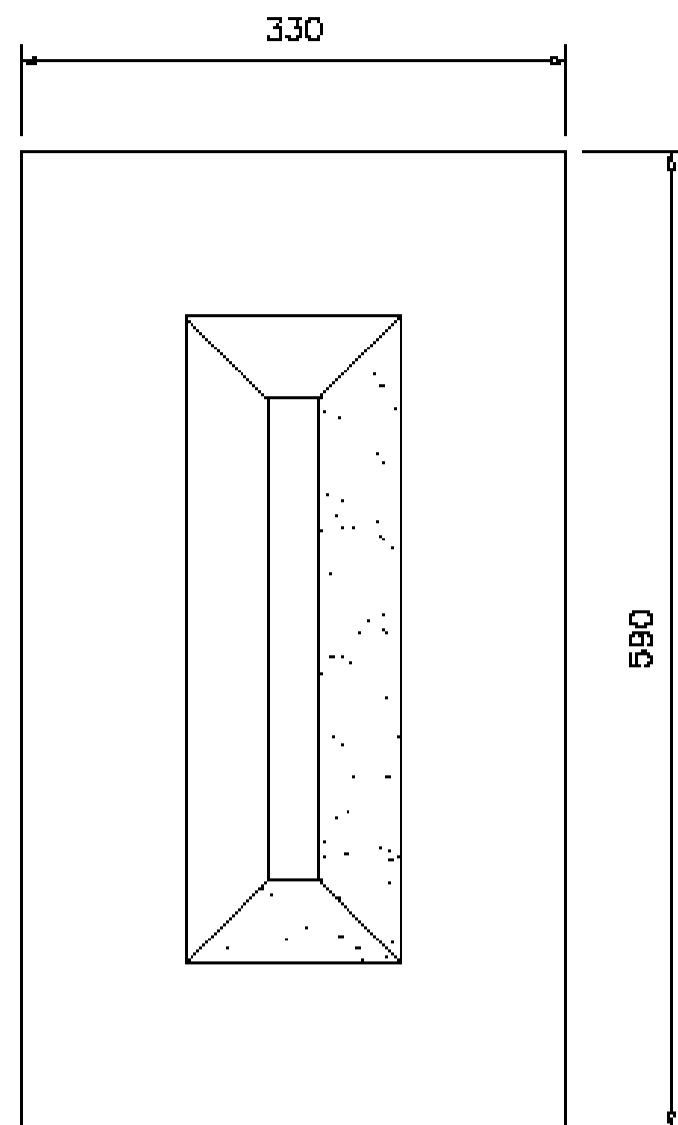
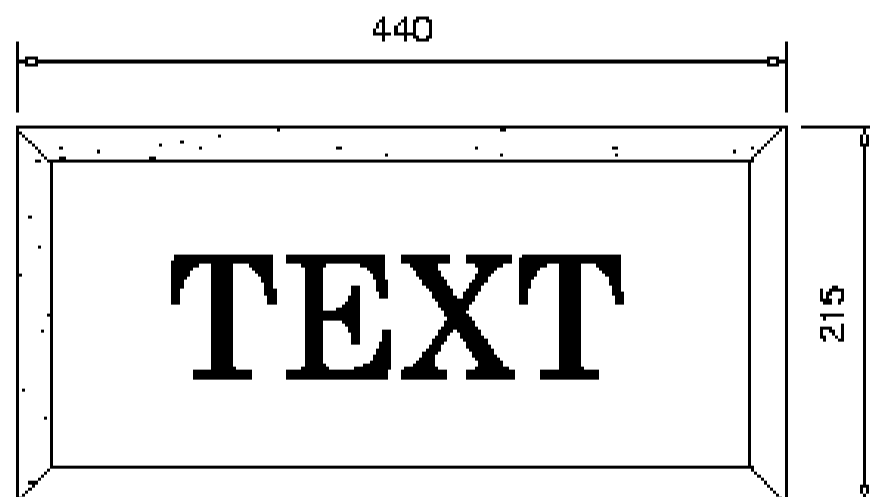


ELEVATION TYPE 1



ELEVATION TYPE 2



ELEVATION—STANDARD NAME/DATE STONE

Notes

NAME & DATE STONES:

- Standard dimensions 440mm (L) x 215mm (H).
- Available with or without chamfer and with various text.
- Text/numerals in recessed century typeface.
- Non standard dimensions manufactured to order.
Maximum depth 150mm.

GABLE VENTS:

- Available in various depths, maximum depth 150mm.
- Available as false backed units or through units.