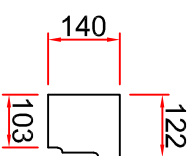
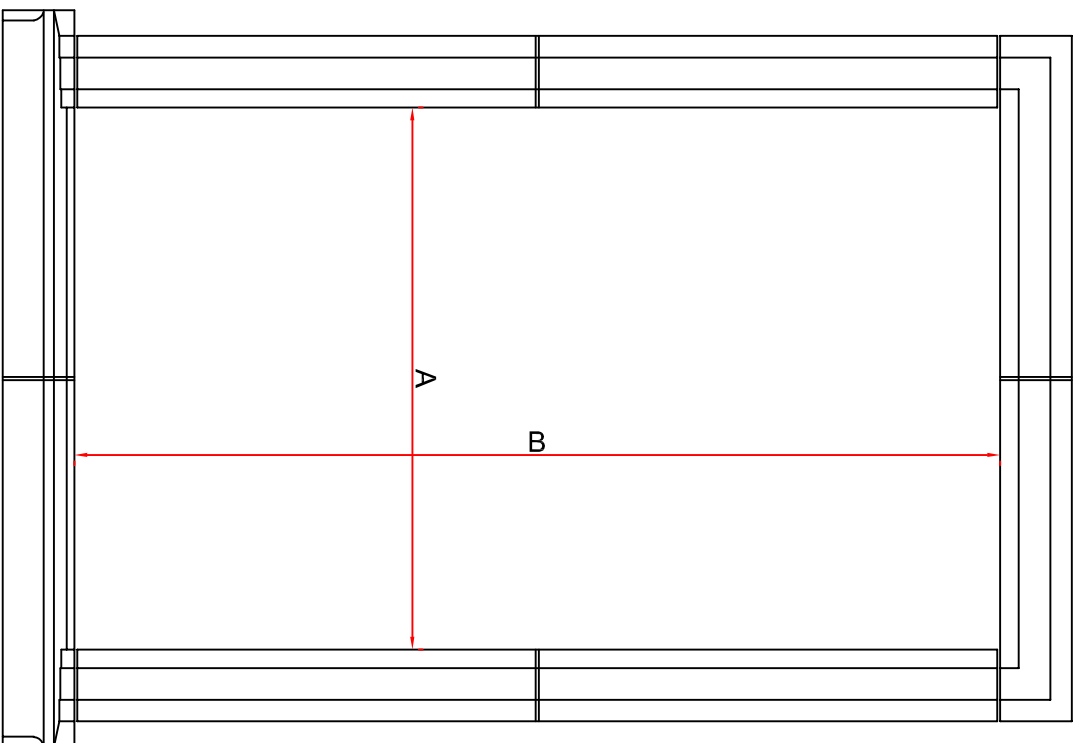
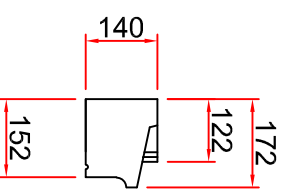


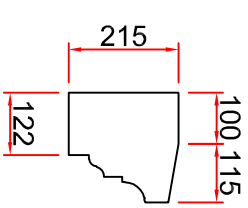
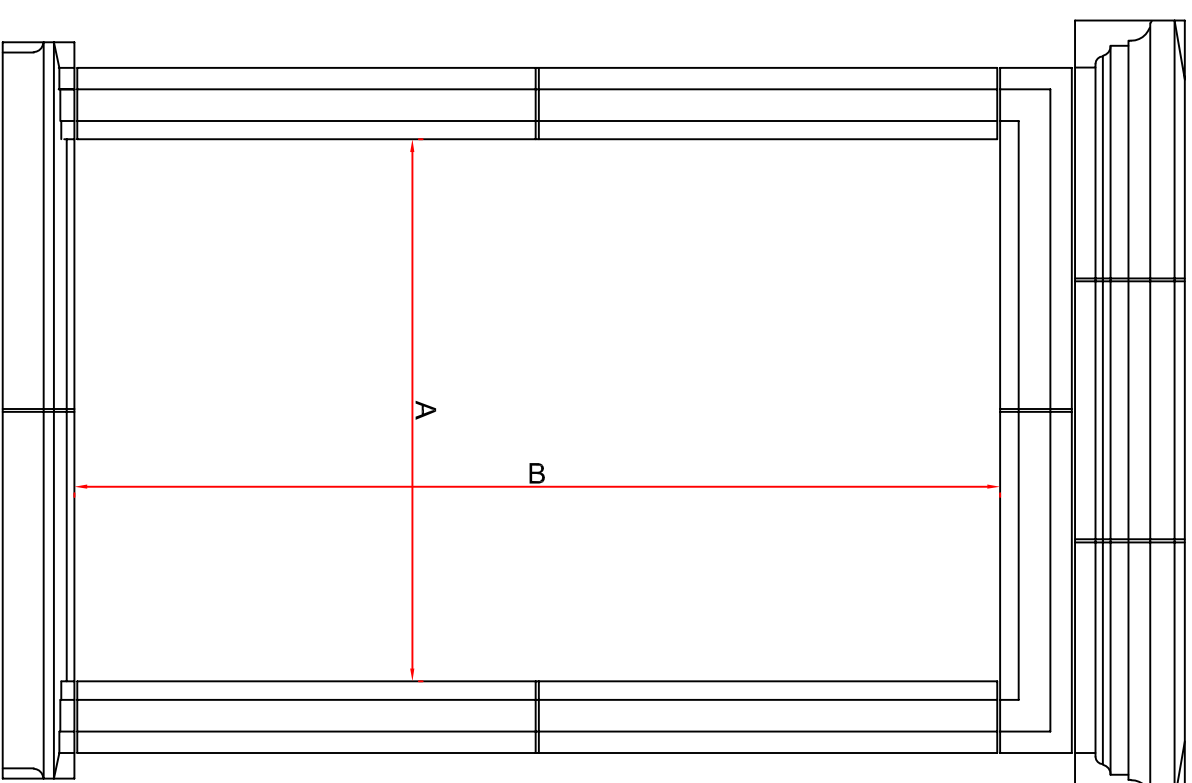
# UNITS MAY BE SUPPLIED SECTIONAL DEPENDING ON THE UNIT LENGTH



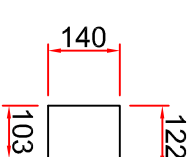
**Head and Jamb section**



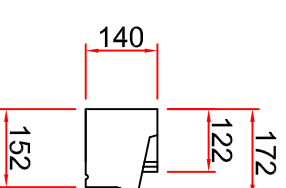
**Cill section**



**Head cornice section**



**Head and Jamb section**



**Cill section**