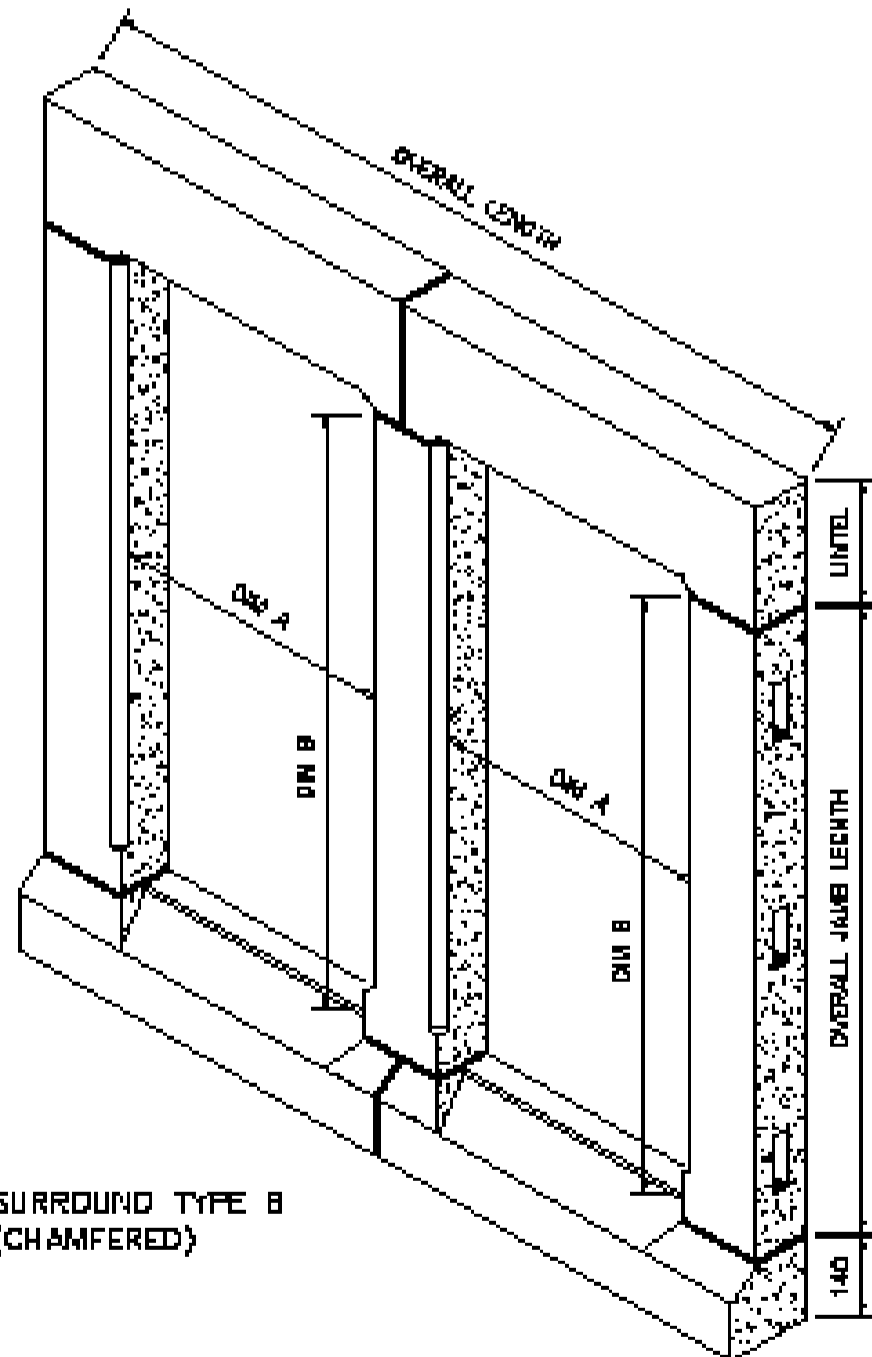
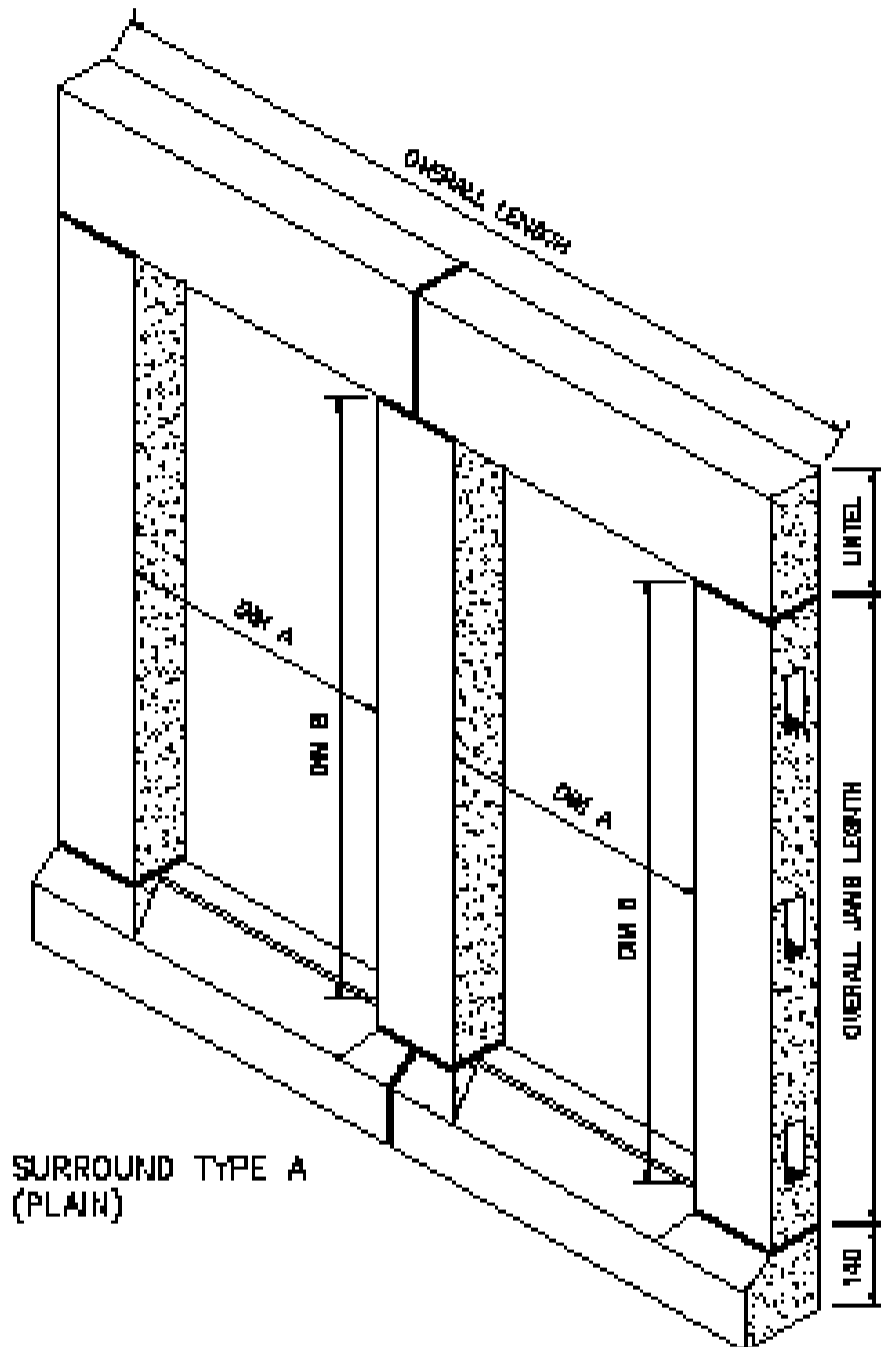


- Surrounds comprise of cills, heads, mullions and jambs as per requirements.
- Jambs manufactured complete with abbey slots to secure back to adjoining brickwork with standard fishtails ties.
- Heads and cills on 2 light (and above) window surround supplied split at mullions.
- Opening sizes available (Dim A): 488mm, 630mm, 1200mm and 1770mm.
- All non-standard components manufactured to order.



## Notes

Typical mullion / jamb sections:

- 100mm x 150mm - In brickwork
- 100mm x 100mm - In brickwork
- 120mm x 120mm - In render
- 120mm x 170mm - In render

- Mullions may be supplied in section to suit slenderness ratio.
- All non-standard dimensions manufactured to order.
- Type B surround supplied C/W 20 x 20mm chamfer.
- Stainless steel dowels to locate components.